

STEG

ME-12

Subwoofer Cabinet Manual

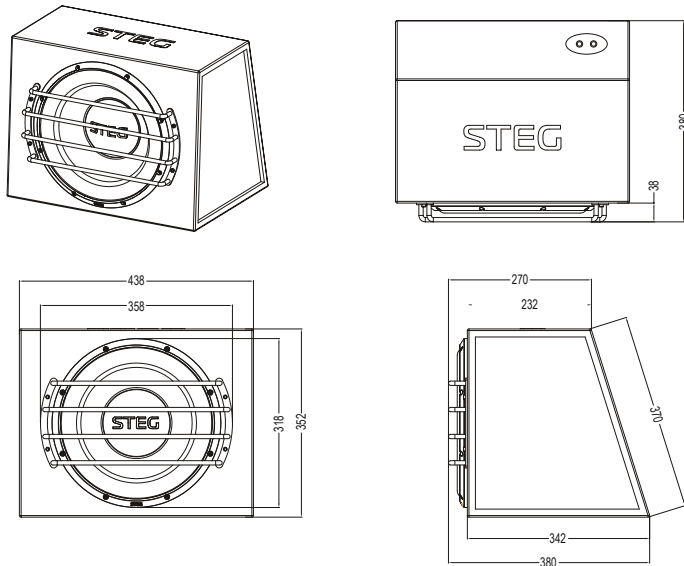
Thank you for purchasing STEG car horns. It is a state-of-the-art product specifically designed and engineered for vehicle use, and has been thoroughly tested to ensure consistent and reliable performance.

Should you have any questions regarding the installation or operation of your **STEG** Subwoofer Speaker, which are not answered in this manual, please contact your dealer for assistance.

FEATURES

- 12" Subwoofer Speaker
- Rms.Power: 150W
- Rubber Edge Paper Cone
- Dual 4 ohm 2" Aluminum Voice Coil
- 65 Oz Magnet Structure
- Dedicated with LOGO basin frame
- PVC Gasket

DIMENSIONS



PRECAUTIONS

- Before installation, make sure that the installation space is appropriate
- To prevent noise pick-up, keep the wiring away from motors, highvoltage leads and other potential noise sources.
- To prevent a short-circuit, keep all wiring away from moving parts and sharp edges.
- Make sure you carefully read and understand the installation instructions before installing this subwoofer in your vehicle.

SPECIFICATIONS	ME-12
Rms.Power (W)	150
Minimum resonant speaker frequency(Hz)	26
Minimum resonant box frequency(Hz)	45
Nominal Impedance (Ω)	4
Sensitivity@1w/1m (dB)	86.5
Frequency Range	26Hz~1KHz
Magnet	63 Oz
Voice Coil	2"
Cone	Rubber Edge Paper Cone
Mounting Depth (mm)	146
Mounting Diameter (mm)	283
Box size (HxWxD1xD2mm)	438x352x270x380