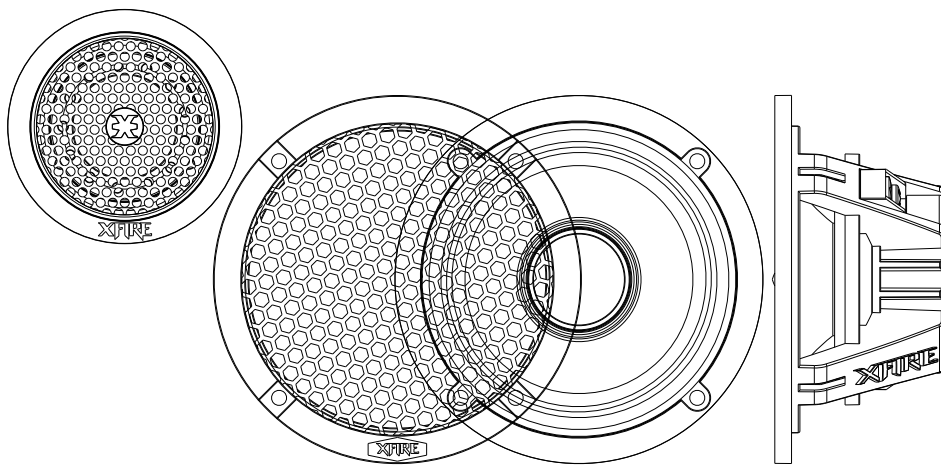


# XFIRE

AUDIO

Reference Audio Redefined  
Hear What You've Been Missing



XFR325  
3" 2-way Component System  
Owners Manual

[XFIREAUDIO.COM](http://XFIREAUDIO.COM)

# Reference Audio Redefined

## Introduction

Congratulations on purchasing one of the finest autosound loudspeaker component systems available today. XFRS Series Components are forged from rigorous pursuits of exceptional sound, strength, performance, and style. With our relentless pride and passion combined with 30 plus years of experience in the 12 volt industry we are proud to welcome you to the XFIRE AUDIO family.

It's Your Music, It's Your Style, It's Your Life, AMPLIFIED!

**Purchase and serial number information.** Record your new **XFIRE AUDIO** product information for future reference.

Purchase date	
Retailer	
Model #	
Serial #	

Welcome to **XFIRE AUDIO** "The New Breed Of Mobile Audio".

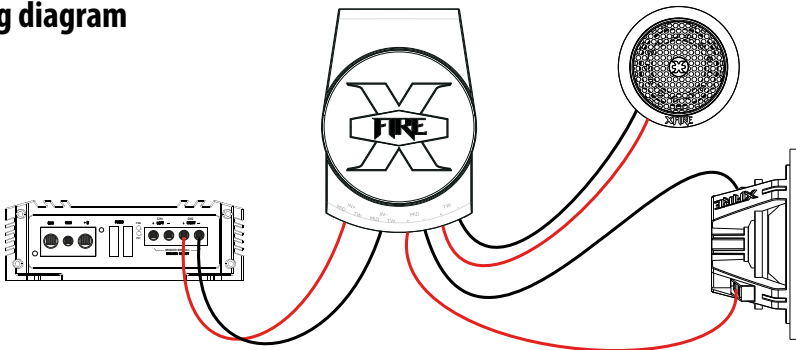
## Features

XFRS Series Components redefine the boundaries of sonic euphoria with lush, crystal clear image and dynamics the way music was intended to be heard.

- Specially formulated carbon-paper composite cones coupled with ASV voice coils
- Shallow mount 3" mid-bass with fiber reinforced PB chassis and conical wave guide
- Neodimium motor structures
- Butyl rubber surrounds
- 25mm inverted dome aluminum tweeters matched with external crossovers

XFRS Series Components; Reference Audio Redefined, Hear What You've Been Missing!

## Wiring diagram



# Reference Audio Redefined

## Specifications

	<b>XFR32S</b>
<b>RMS Power</b>	100W
<b>Max Power</b>	400W
<b>Impedance</b>	4Ω
<b>Response</b>	350Hz-25kHz
<b>Sensitivity</b>	92.5dB
<b>X-over</b>	12dB/Oct
<b>Midrange Level Adjustment</b>	-3dB, 0dB, +3dB
<b>Tweeter Level Adjustment</b>	-3dB, 0dB, +3dB
<b>Midrange Diameter</b>	3"(80mm)
<b>Midrange Mounting Depth</b>	1.49"(38mm)
<b>Tweeter Diameter</b>	1"(25mm)
<b>Tweeter Mounting Depth</b>	0.75"(19.5mm)

All specifications are subject to change without notification due to continual product improvements.

## Installation

XFRS Series Components are designed for high quality sound systems. XFRS Series Components garner exquisite definition and detail.

To get the highest performance from your XFRS Components please observe these very important rules .

To ensure you'll have a good low mid response:

- Make sure all components are connected with the right polarity
- Make sure the midrange is mounted to a strong surface with an airtight seal so the backwaves of the speaker cannot mix with the front waves of the speaker (a so called acoustic short circuit)

To ensure you'll have optimum imaging:

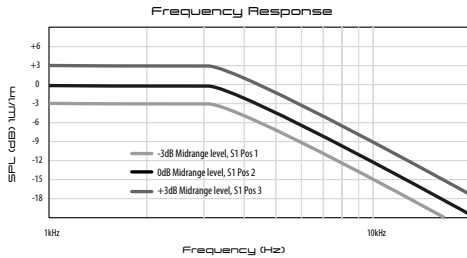
- Make sure you angle the tweeters to a point in the middle of the front seats headrests
- Make sure you select the right tweeter level and the right tweeter freq settings in the passive x-over

# Reference Audio Redefined

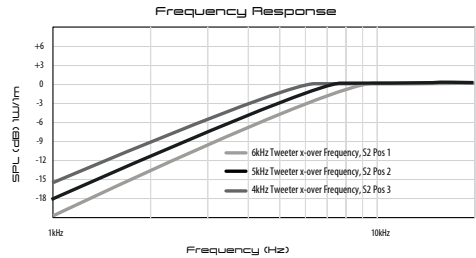
## Passive x-over midrange and tweeter settings

	Position 1	Position 2	Position 3
<b>Switch S1 Midrange Level</b>	-3dB	0dB	+3dB
<b>Switch S2 Tweeter Level</b>	-3dB	0dB	+3dB

### Midrange level settings



### Tweeter level settings



## XFIRE AUDIO limited warranty.

U.S.A. warranty: 90 days. (1 year if installed by an authorized dealer.)

What is covered: This warranty applies only to XFIRE AUDIO products sold to consumers by authorized dealers in the U.S.A. Products purchased by consumers from an authorized dealer in another country are covered only by that country's distributor.

Who is covered: The original purchaser of XFIRE AUDIO product bought from an authorized dealer in the U.S.A. To receive warranty, the original purchaser must provide a copy of the receipt with customer name, dealer, XFIRE model purchased with the date of purchase. Please retain all receipts for warranty purposes should they be needed. Warranty is not transferable.

Products found to be defective during the warranty period will be replaced (with a product deemed equivalent) at the discretion of XFIRE AUDIO.

What is NOT covered:

- Abuse (including burnt voice coils) improper installation, operating product other than which it was designed, water damage, theft, product damage from vehicle accidents, or shipping damages.
- Any costs incurred for removal or reinstallation.
- Any product with altered, defaced or removed serial numbers.
- Damage to other components.
- Products purchased from unauthorized dealers, retailers or internet sites.

Buyers beware of the Internet. ANY XFIRE AUDIO product bought online that is NOT from an AUTHORIZED dealer will void any and all warranty. Limit on implied warranties: Any implied warranties including warranties of fitness for use and merchantability are limited in duration to the period of the express warranty set forth above. Some states do not allow limitations on the length of an implied warranty, thus limitations may not apply. No person shall assume for XFIRE AUDIO any other liability in connection with the sale of products.

Obtaining warranty: Contact your local authorized dealer.

Should you need additional assistance please email XFIRE AUDIO : [salesusa@xfireaudio.com](mailto:salesusa@xfireaudio.com) or call us 855-77-XFIRE.

© 2016 XFIRE AUDIO © LLC. All rights reserved.

"XFIRE AUDIO", "LIFE AMPLIFIED", and "THE NEW BREED OF MOBILE AUDIO" are either registered trademarks or trademarks of XFIRE AUDIO LLC.