

SxA50

SxA60

SxA55

SxA75

SxA95



*...is all you need*



SxA4K

SxA7K

SxA10K

**PRO AUDIO**

STREET FULL RANGE AMPLIFIER SERIES

## CONGRATULATIONS !

You now own an EXCURSION SXA Full Range Amplifier, the product of an uncompromising design and german engineering philosophy. A product made from Car Audio fanatics who truly believe in the relentless pursuit of perfection.

EXCURSION amplifiers are the result of several decades of product improvements, competition, innovation and highest quality parts and control standards in industry. When properly installed these amplifiers will provide you with many years of listening pleasure and are the perfect balance between high fidelity, extreme performance and long-lasting reliability.

Should your amplifier ever need a service, Please record your information on the following lines to refer to in the event that you may need it later.

Dealer's Name \_\_\_\_\_

Date of Purchase \_\_\_\_\_

Installation Shop \_\_\_\_\_

Installation Date \_\_\_\_\_

At EXCURSION Intl. we are confident you will have many years of outstanding enjoyment from your high performance investment. For maximum performance we recommend that you have your new EXCURSION SXA Amplifier installed by an exclusive Authorized EXCURSION Dealer

To learn more about EXCURSION, please visit us on the World Wide Web at

<http://www.excursion.us>

### **CAUTION !**

Continuous exposure to sound pressure levels in excess of 100dB can cause permanent hearing loss. EXCURSION Products are capable of producing sound pressure levels well over 170dB. Please observe all local sound ordinances while listening to your EXCURSION System. EXCURSION Intl. accepts no liability for hearing loss, bodily injury, or property damage due to the result of use or misuse of this product.

## FEATURES

- \* Fully 10Ohm stable Full Range Response @ Mono and 2CH
- \* Fully 20Ohm stable Full Range Response @ 4Channel
- \* Soft delayed remote Turn ON Circuitry
- \* Fully microcontrolled Power Supply
- \* Fully adjustable LPF, HPF and BPF Crossovers
- \* 12dB fully adjustable Bass Boost Setting
- \* Military Standard 8GA Speaker and 0GA Power Terminals
- \* External Remote Controls for Daily or Competition optional
- \* Overload, Heat, Volt, Short Circuit Protection
- \* Power / Clip / Alarm LED Status indicators
- \* Massive pure aluminium Heatsink Design
- \* Fan cooling Heat management on board

## SPECIFICATIONS

Model	SXA55	SXA75	SXA95	SXA50	SXA60	SXA4K	SXA7K	SXA10K
Description	4 Channel			2 Channel		1 Channel (MONO)		
1Ohm Load @ 14.4V	NA			2x1250W	2x2500W	3500W	6500W	9500W
2Ohm Load @ 14.4V	4x400W	4x600W	4x1000W	2x900W	2x1500W	2500W	4500W	6500W
4Ohm Load @ 14.4V	4x250W	4x400W	4x600W	2x500W	2x750W	1500W	2500W	3500W
4Ohm BRIDGE @ 14.4V	2x800W	2x1200W	2x2000W	1x1800W	1x3000W	NA		
2Ohm BRIDGE @ 14.4V	NA			1x2500W	1x5000W	NA		
<b>FEATURES</b>								
Amplification	FRD - Full Range Digital							
Input Sensitivity	0.2 ~ 6.0 V Low Level (PRE)							
Frequency Response	15 ~ 20KHz							
LPF - Low Pass Filter	40 ~ 400Hz			50 ~ 5000Hz		50 ~ 20000Hz		
HPF - High Pass Filter	40 ~ 400Hz			10 ~ 1000Hz				
Bass Boost	0 ~ 12dB @ 45Hz							
Optional Remote	NA			YES				
Minimum Load	20hm			10hm				
S/N Ratio	> 85%							
THD @ 40hm Load	< 0.05%							
Efficiency @ 40hm	> 80%			> 90%				
Low Voltage Protection	YES < 8Volt							
Overheat Protection	Protect @ 84° / 185F							
Short Circuit Protection	YES - Test PASS							
Components & PCB	military standard / SMD parts / double side FR-4 PCB							
ext. Fuse Requirement	100A	150A	250A	150A	300A	200A	400A	600A
Power Terminal +/-	0GA allen screw Terminals							
Speaker Terminals	8GA allen screw Terminals							
<b>DIMENSION</b>								
Height	68 mm							
Width	230 mm							
Length (Heatsink) mm	270	320	320	270	400	200	400	510

## CONTROL FUNCTIONS

### **1. RCA Audio Input**

These RCA Input jacks connect with your source unit RCA Low Level Outputs. The use of highquality twisted pair car audio cables is recommended to mind possibility of disturbance the audio signal.

### **2. GAIN Control**

The Gain controle will match the amplifiers sensitivity to the provided source unit signal voltage.

### **3. X-Over Mode Switch**

This Switch select between 3 Options of operating frequency range of your Excursion Amplifier

- 5.1 HPF - High Pass filter the unwanted low frequency range from your audio signal.
- 5.2 FULL - Fullrange setting route your audio signal without any Filter direct to amplification.
- 5.3 BPF - operating High Pass and Low Pass filter high and low FQ rom your audio signal.

### **4. HIGH PASS FILTER Control**

This know controls the frequency x-over point from where Low Frequency can be cut out.

### **5. LOW PASS FILTER Control**

This know controls the frequency x-over point from where High Frequency can be cut out.

### **6. RCA Audio Output**

These RCA Audio Output Jacks offer the possibility to route the audio signal to further Amplifier. Helpful for example if Headunit offer only one pair RCA Output and further SXA Amplifier need share same Signal. The use of them are to compare with Y-RCA Adapters

### **7. REMOTE - Bass Level Controle (optional SXA RC and SXA RCV)**

The Volume of your SXA Amplifier can get comfortable adjusted from driver seat.

### **8. BASS BOOST Level**

This knob adjust 45Hz signal BOOST level from 0 up 12dB. Preferable demand small size cars.

### **9. POWER Indicator**

This LED will light up when amplifier works properly

### **10. ALARM Indicator**

This LED will light up if amplifier has detected a fault or has shut down to protect itselfes. This may caused for example at excessive heat, reverse polarity, short circuit or overload. This case please turn off the amplifier, disconnect and resolve the problem before continue.

### **11. CLIPPING Indicator**

This LED will light up when the signal starts clipping and support best settings of GAIN.

### **12. GROUND Terminal**

This Terminal is to connect directly to the frame of vehicle. Use shortest distance possible and equal or larger AWG OFC Cable size than +12V Battery Cable. Asure frame cleaned to bar metal.

### **13. REMOTE Terminal**

This Remote terminal is to connect with headunit 12V remote output to turn ON/OFF the amplifier according operating of headunit. If there are more amplifier connected to this terminal it might be necessary, depending on REM performance of headunit, to install an additional relay.

## CONTROL FUNCTIONS

### 14. +12 Volt Battery Terminal (+24 Volt @ SXA Truck Models)

Connect this Terminal with proper 0 GA size OFC Power Cable through a Fuse to the positive Terminal of the car battery or the positive terminal of an isolated external car audio battery.

**WARNING:** Always protect Power Cable via Fuse less than 12inch (30cm) from battery terminal.

**WARNING:** SXA Amplifiers need external Fuse not less than 12inch (30cm) from Power terminal.

Note: Please follow the maximum Fuse recommendation from Excursion SXA Specifications.

Note: We designed 0GA Terminal to fit Hollywood ENERGETIC HPST (MULTE IN) Adapters.

### 15. Speaker Terminals

Connect your speaker or subwoofer to these terminals with proper polarity.

Minimum OFC speaker cable required 10GA, 8GA OFC strongly recommend.

Never short cut or connect cables with chassis ground, effect short circuit and damage amplifier.

#### ⚠ CAUTION

Before attempting to make any connections to power supply, input and output connectors, make sure the amplifier is in OFF state. Check polarity of cables carefully as using reversed polarity will cause damage to amplifier. And to prevent power loss and overheating of wiring, always use the recommended wire gauges.

#### ⚠ CAUTION

Installation of the amplifier should be done in the following steps:

1. Ensure that the ground is appropriate, then connect it to the amplifier.

2. Next step is to connect the +12V wire. Ensure all power terminals are used.

This cable has to be fused for safety precautions.

3. The final step is connecting the switched remote.

### 2CH PANEL LAYOUT

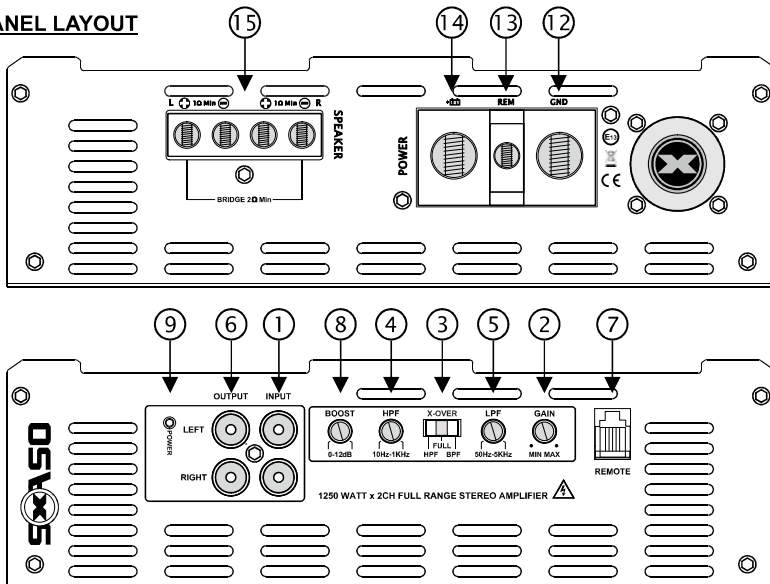
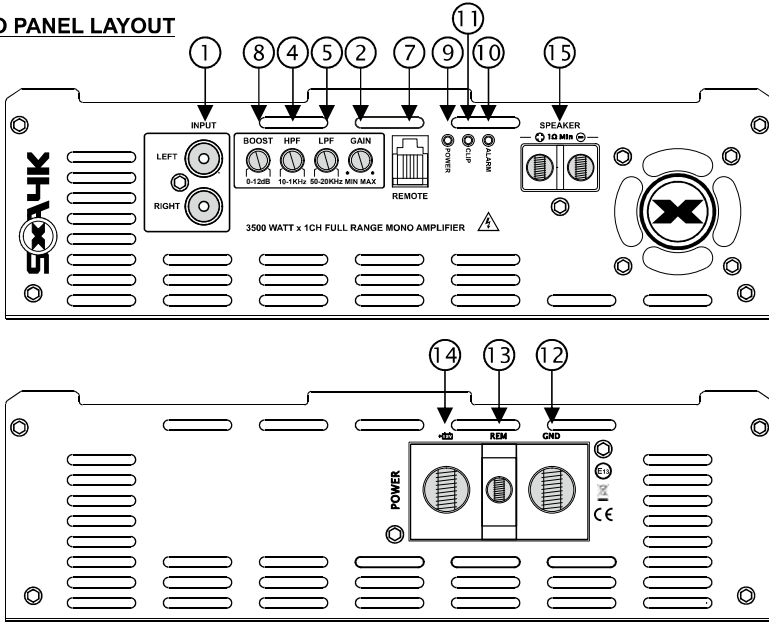


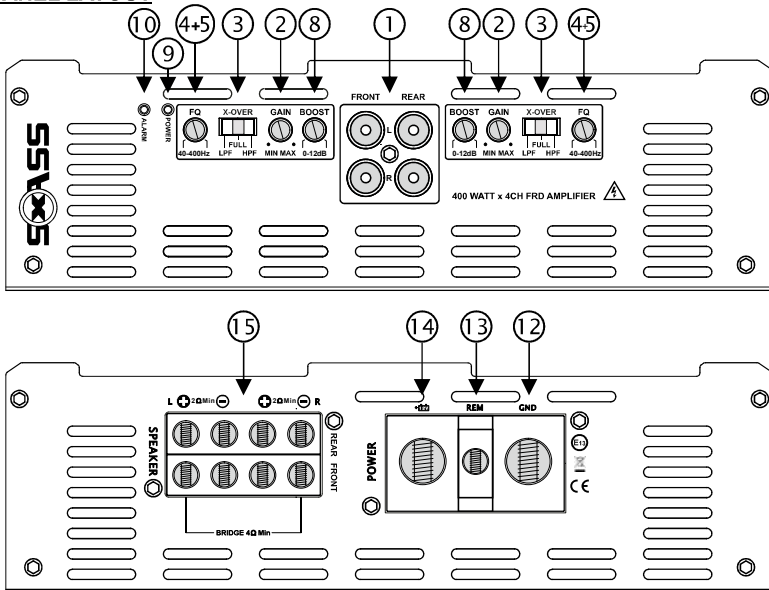
Fig.1 SXA50 and SXA60 amplifier panel layout

**MONO PANEL LAYOUT**



**Fig.2** SXA4K, SXA7K and SXA10K amp panel layout

**4CH PANEL LAYOUT**



**Fig.3** SXA55, SXA75 and SXA95 amp panel layout

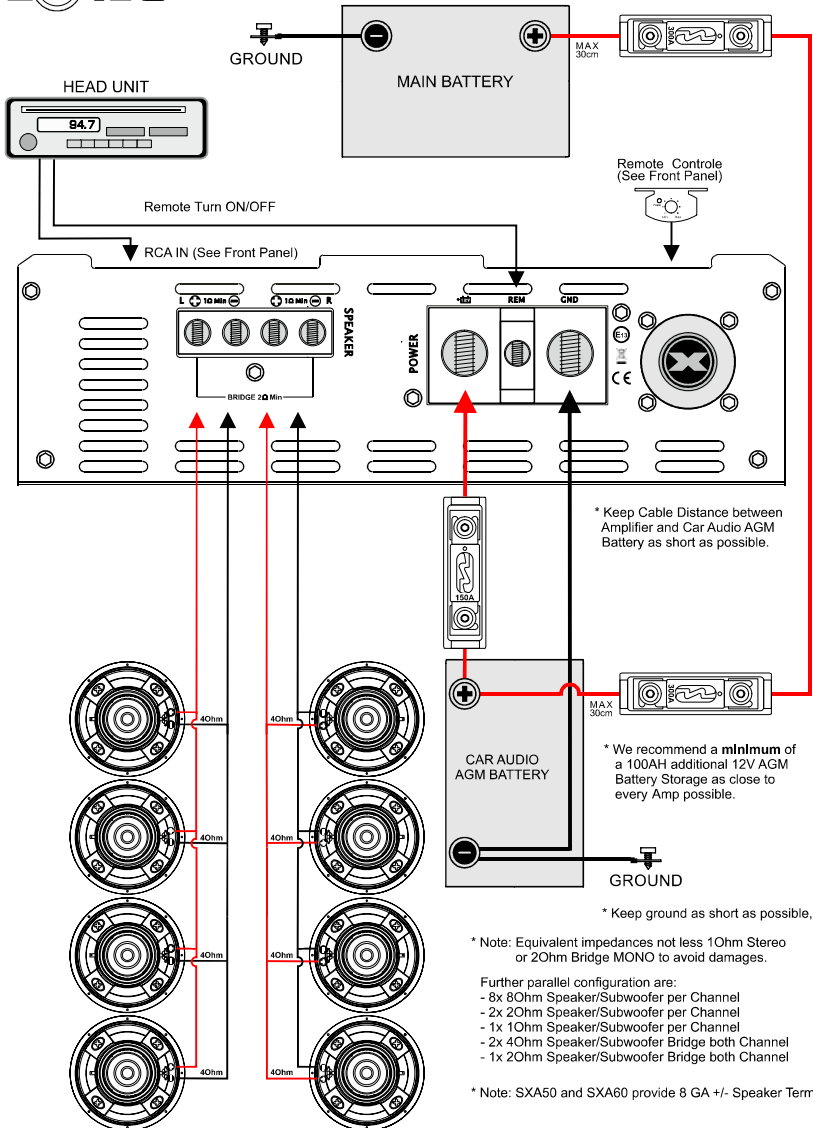
# WIRING DIAGRAMM

**ATTENTION :** Optional 24 Volt Version for Trucks available. Please pay attention !!!

**SXA50**

**SXA60**

\* Please verify Performance Status of your Main Battery and replace on demand



\* Keep Cable Distance between Amplifier and Car Audio AGM Battery as short as possible.

\* We recommend a **minimum** of a 100AH additional 12V AGM Battery Storage as close to every Amp possible.

\* Keep ground as short as possible,

\* Note: Equivalent impedances not less 1Ohm Stereo or 2Ohm Bridge MONO to avoid damages.

- Further parallel configuration are:
- 8x 8Ohm Speaker/Subwoofer per Channel
  - 2x 20hm Speaker/Subwoofer per Channel
  - 1x 10hm Speaker/Subwoofer per Channel
  - 2x 40hm Speaker/Subwoofer Bridge both Channel
  - 1x 20hm Speaker/Subwoofer Bridge both Channel

\* Note: SXA50 and SXA60 provide 8 GA +/- Speaker Terminals

## WIRING DIAGRAMM

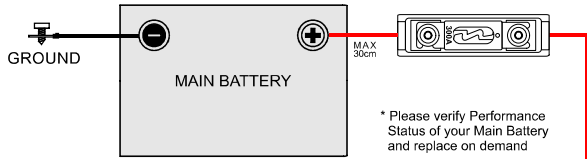
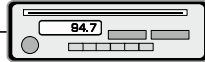
ATTENTION : Optional 24 Volt Version for Trucks available. Please pay attention !!!

**SXA4K**

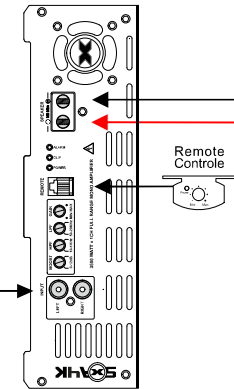
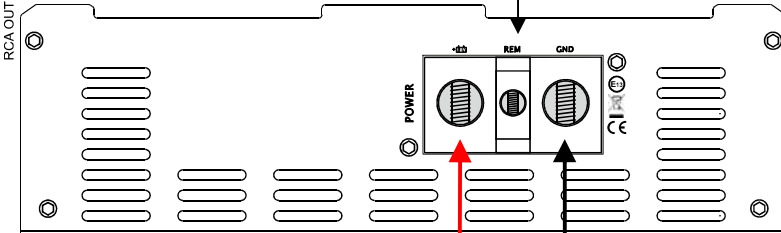
**SXA7K**

**SXA10K**

HEAD UNIT

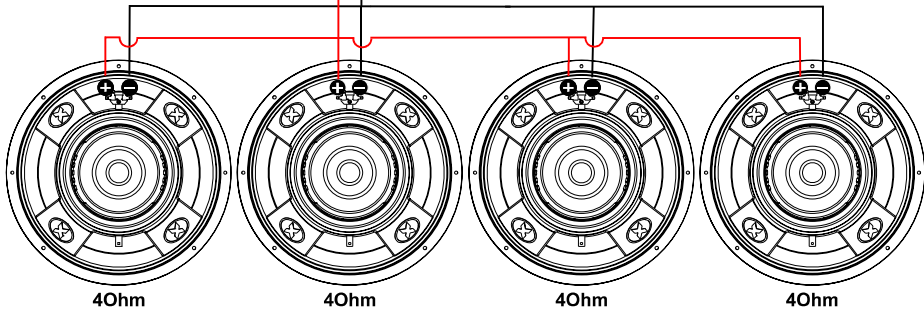
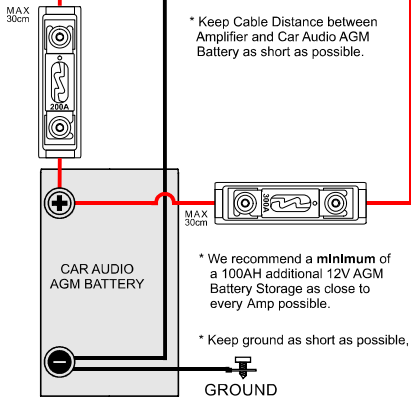


Remote Turn ON/OFF



\* Equivalent impedance not less 10hm to avoid damages.

\* Note: SXA4K, SXA7K, SXA10K provide 8 GA +/- Speaker Terminals





# WIRING DIAGRAMM

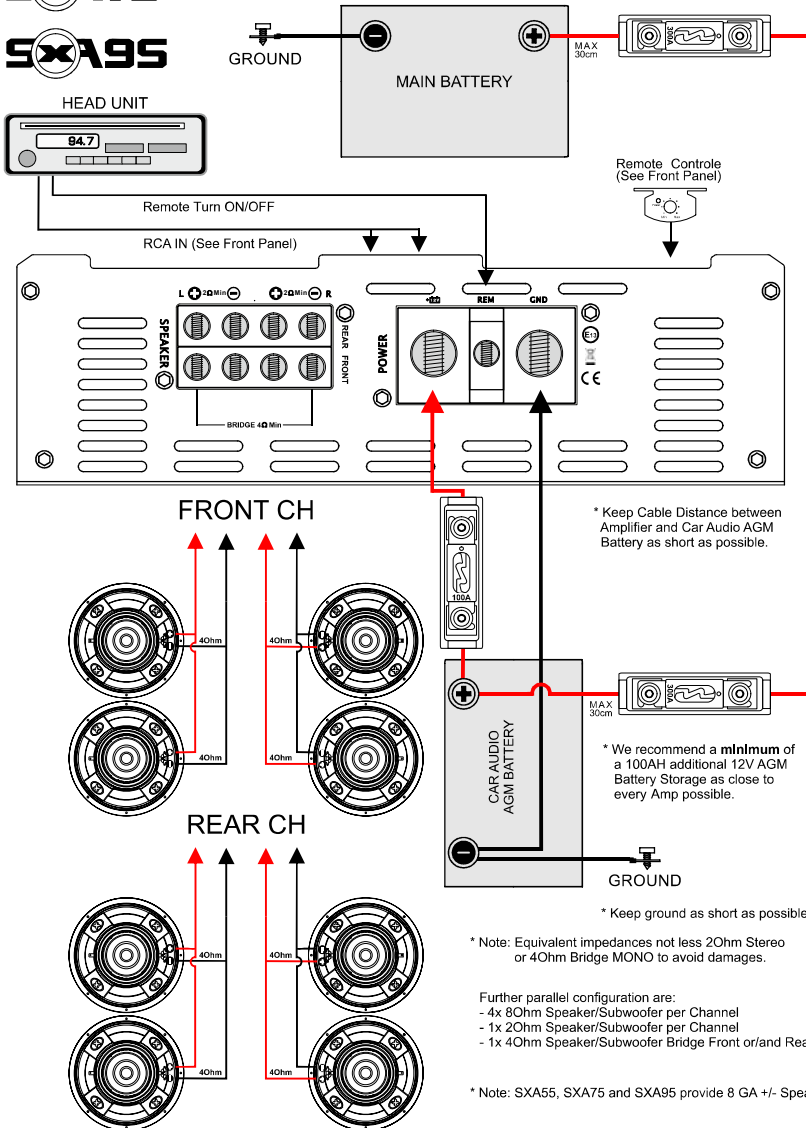
**ATTENTION :** Optional 24 Volt Version for Trucks available. Please pay attention !!!

**SXA55**

**SXA75**

**SXA95**

\* Please verify Performance Status of your Main Battery and replace on demand



## INSTALLATION PRECAUTIONS

Before you install the amplifier, investigate your car's layout very carefully. Take special care when you work near the gas tank, fuel lines, hydraulic lines and electrical wiring. Before making or breaking power connections in your system, disconnect the vehicle battery. Confirm that your head unit or other equipment is turned off while connecting the input jacks and speaker terminals. If you need to replace the power fuse, replace it only with a fuse identical to that suggested by this manual. Using a fuse of a different type or rating may result in damage to your audio system or your amplifier which is not covered by warranty .

## CONNECTING THE AMPLIFIER

1. Connect the amplifiers ground cable to a close, bare metal part of the frame or chassis. Use a nut and bolt! The ground cable must be at least the same size as the +12 or +24 volt.
2. Connect the remote terminal to remote output of the head unit using upper 16 gauge wire.
3. Connect the fuse holder within 15”(30cm) of the car battery, and run the selected cable from this fuse to the amplifier.
4. Connect all the inputs with high-quality cables. Connect Remote Control if necessary.
5. Insert fuse(s) into the battery fuse holder(s).

## TROUBLE SHOOTING

Symptom	Possible Remedy
<b>Amplifier will not power up</b>	<p>Check to make sure you have a good ground connection.</p> <p>Check that there is battery power on the (+)terminal .</p> <p>Check all fuses, replace if necessary .</p> <p>Make sure that the Protection LED is not illuminated.</p>
<b>Protection LED Comes on</b>	<p>Check for short circuits on speaker leads.</p> <p>Check the speaker load not beyond the minimum load.</p> <p>Remove speaker lead, and reset the amplifier. If the protection LED still Comes on, then the amplifier is faulty and needs servicing .</p>
<b>No output</b>	<p>Check that the RCA audio cables are plugged into the proper inputs.</p> <p>Check all speakers wiring.</p> <p>Check the headunit output and the amplifier level setting.</p>
<b>Low output</b>	<p>Reset the level Control.</p> <p>Check the Crossover Control settings.</p>
<b>High hiss in The speakers</b>	<p>Check the RCA cable is not shorted to power ground at amplifier side.</p> <p>Check the amplifier grounding.</p>
<b>Distorted sound</b>	<p>Check that the Input level control is set to match the signal level of the head unit. Always try to set the Input level as low as possible.</p> <p>Check that all crossover frequencies are properly set.</p> <p>Check for short circuits on the speaker leads.</p>
<b>Amplifier gets Very hot</b>	<p>Check that the minimum load impedance for the amplifier model is correct.</p> <p>Check that there is good air circulation around the amplifier. In some applications, It may be necessary to add an external cooling fan.</p>



## EXCURSION LIMITED WARRANTY POLICY

EXCURSION Intl. offers limited warranty on EXCURSION products under normal use on the following terms:

**EXCURSION Amplifiers are to be free of defects in material and workmanship for a period of one year.**

This warranty applies only to EXCURSION products sold to consumers by Authorized EXCURSION Dealers in Germany. Products purchased by consumers from an EXCURSION dealer in another country are covered only by that country's Distributor and not by EXCURSION Intl.

This warranty covers only the original purchaser of EXCURSION product. In order to receive service, the purchaser must provide EXCURSION with the receipt stating the consumer name, dealer, product and date of purchase.

Products found to be defective during the warranty period will be repaired or replaced (with a product deemed to be equivalent) at Excursion`s discretion and will not be liable for incidental or consequential damages. EXCURSION will not warranty this product under the following situations:

- \* **Amplifiers received with apparent rust or corrosion**
- \* **Any evidence of liquid damage or exposure to excessive heat**
- \* **Attempted repairs or alterations of any nature**
- \* **Product that has not been installed according to this owner manual**

Any implied warranties including warranties of fitness for use and merchantability are limited in duration to the period of the express warranty set forth above. No person is authorized to assume for EXCURSION any other liability in connection with the sale of this product.

**Please call prior your authorized EXCURSION dealer** the product got purchased. In case they are not accessible call 0961-416-0420 for EXCURSION Customer Service. You must obtain an RA# (Return Authorization Number) to return any product to EXCURSION Intl. The RA number must be prominently marked on the outside of the shipping carton or the delivery will be refused. Please pack your return carefully! We are not responsible for items damaged in shipping. Return the defective product along with a copy of the original dated retail sales receipt, plus 10,- EUR for handling and diagnostic evaluation to:

**EXCURSION Intl. - A Division of CHPW**  
**Attn: Returns (RA# ..... )**  
**Neustaedter Str. 20**  
**D-92685 Floss / Germany**



*...is all you need*



**EXCURSION - A Division of CHPW**

All Rights reserved - Intl. Trademark No: 010 640 597

Friedrich-Ebert-Str. 42 - D-92637 Weiden / Germany

