



*...is all you need*



**SX1054**

**SX1004**

**SX1254**

**SX1204**

**SX STREET BLUE LINE SUBWOOFER v.2**

### CONGRATULATIONS !

You now own an EXCURSION SX STREET BLUE LINE Subwoofer, the product of an uncompromising design and german engineering philosophy, in its meanwhile 2nd Generation of permanent improvement. Finally a passionate product made from Car Audio fanatics who truly believe in the relentless pursuit of perfection.

EXCURSION Subwoofer are the result of several decades of product improvements, competition, innovation and highest quality parts and control standards in industry. When properly installed these speakers will provide you with many years of listening pleasure and are the perfect balance between high fidelity, extreme performance and long-lasting reliability.

Should your SX Subwoofer ever need a service, Please record your information on the following lines to refer to in the event that you may need it later

Dealer's Name \_\_\_\_\_

Date of Purchase \_\_\_\_\_

Installation Shop \_\_\_\_\_

Installation Date \_\_\_\_\_

At EXCURSION Intl. we are confident you will have many years of outstanding enjoyment from your high performance investment. For maximum performance we recommend that you have your new EXCURSION SX Subwoofer installed by an exclusive Authorized EXCURSION Dealer

To learn more about EXCURSION, please visit us on the World Wide Web at

<http://www.excursion.us>

#### **CAUTION !**

Continuous exposure to sound pressure levels in excess of 100dB can cause permanent hearing loss. EXCURSION Speakers are capable of producing sound pressure levels well over 170dB. Please observe all local sound ordinances while listening to your EXCURSION System. EXCURSION Intl. accepts no liability for hearing loss, bodily injury, or property damage due to the result of use or misuse of this product.

## EXCURSION SX GENERATION 2 SUBWOOFER FEATURE

### **Kraft Pulp Black Non-pressed Drying Paper Cone with Glasfiber reinforcement:**

The cone and its choice of material effect almost everything in regard to the Sound Quality of the subwoofer. While the cone must remain exceptionally stable under the stress of high sound pressure levels a well balanced formula of maximum stiffness at minimum weight is the target next to a high grade internal damping for reproduction from the deepest bottom signals. We at EXCURSION especially took care at this keypoint of a subwoofer and designed an aerial Kraft Pulp technology of natural paper with Glasfiber reinforcement to increase stiffness and accurate sound Performance. Especially NON-Pressed all together into one piece our cone design show up with a perfect damping with outstanding stiffness at very favourable light weightness.

**3D EXCURSION Dustcap Design:** The impressiv and agressiv looking of our dustcap is only the welcome side effect of a very carefully research of its technolgy. We are confident that we have designed the lightest dustcap at this stiffness on the market. This is statcal caused of our Logo design with a pair of 3D outer Circle and of course the 3D X-Design and only a minimum of high grade Polypropylen material.

**Rigid tooled fully vented Steel Basket:** Their symmetrical design together with the stamped EXCURSION logos ensure outstanding static, aerodynamic and stiffness of our EXCURSION steel baskets. This results in maximum excursion in an extremely rigid non-resonant frame, which fix motor structure and all moving parts together. Coated with black antivibration colour the baskets are acoustical deaden to provide best results. We at EXCURSION took especially care of maximum cooling of voice coil. All baskets are perimeter vented below the spider for maximum heat transfer, knowing that a cool voice coil is able to take more power and handle more power.

**Voice Coils:** The heart of EXCURSION Subs are the 2" in size carefully designed Voice Coils. At SX.v2 Subwoofers we even topped ourselves. We ensured with extra vents in the upper aluminium former a fully air cooling circle flow between pole piece of motor and perimeter ventilation of the steel basket. This progress at every stroke they do and keep the coil fully air conditioned for maximum performance. Using the finest pure copper for this monster coils, precise winded on aluminium formers back up the powerful long life of your investment without heart attack.

**Up to 160 once Motor Structure:** The motor structure of a Subwoofer drives the cone. Just like an engine of a car our engines allow your SX.v2 Subwoofer transfer a very lot of Power while our linear spider with ensure precise linear movements. Our extra bumped and aero center Pole and VC gap vented backplates take care of no limits for the coil.

### Pre-Installation Instructions:

It is recommended that you have your new EXCURSION SX.v2 Subs professionally installed by your authorized EXCURSION dealer. This will ensure use of proper installation techniques & materials. If you choose to perform your own installation, the following instruction will give you direction making your purchase complete.

The factors for the port area are manifold and can not be reduced only to depend on the cone area of the woofer that is used. But at least it is a good advice not to go with less than  $1/7$  of the cone area for ported and  $1/4$  for bandpass enclosures.

While you are building up and tuning your sub system you should use a trial-port. This should be longer than calculated or recommended. While tuning the system you can find the best sounding length by shortening the port in approx 2 cm steps. The final tuning in the car does not only result out of what you do with the port. Also the position of the port in the enclosure and surrounding areas and position in the trunk have notable impact. The load-through of rear seats are also uncalculable as well size and construction type of the car. This easy effect with different results.

Please do NOT use carpet or cloth within the port or inside the enclosure. It has bad effects on the air flow. It is recommended to round up the ends of the port and ensure a glossy surface where ever the air moves inside the enclosure or port. The moving air mass will speed up and thank you by producing less side noises.

You can also prevent the port itself from resonating. The techniques are the same as you know from building enclosures or damping doors. You can use energy absorbing material or you can raise the stiffness of the port by bracing.

To have your subwoofer system playing clear and accurate you must follow the idea of an acoustical "dead" workplace, with just the moving cone. First of all, the enclosure itself might be not rigid enough. In most cases you can raise the stiffness by implementing braces, that connect in best way four walls. Or at least stiff up the baffle against back-wall. You can build enclosures with wallthickness of many centimetres, but bracing will have same effect with less weight! Now, when your enclosure is stiff and rigid to save you against bomb attacks, you can put it in your trunk. Do not forget it is important to fix it in the trunk of your car.

**For further direction consult an authorized EXCURSION installation specialist**

If you are intending to use multiple subwoofers in your system, EXCURSION recommends having separate chambers for each subwoofer if the subwoofers will be operated by different amplified signals. This prevents possible cancellation.

**WARNING:** The use of silicone rubber to seal in a speaker will void the Warranty! If sealing is needed to the speaker gasket, use caulking cord or vinyl weather strip.

**IMPORTANT:** Never cut any metal that is an integral part of an automobile's safety or structural support system.

**NOTE:** EXCURSION strongly recommends that you operate the complete audio system at low volume before final installation of your SX.v2 Series Subwoofers. This will allow a trial listening test to set maximum volume without distortion.

**CAUTION:** Make sure that all speaker wiring is fully protected from cutting or wear. Any short circuits developing as a result could severely damage the radio unit or amplifier. Make sure that all speaker wires easily reach the speaker terminals without stress on the wire or connectors.

#### PREPARING FOR INSTALLATION

**Note: The tools listed below may be required for proper installation.**

- \* An electric drill with drill bits
- \* Phillips-head and standard screwdrivers
- \* Crimping tool and needle-nose pliers
- \* Silicone sealant or closed cell weather-stripping
- \* Metal file, Hole saw, Tin Snips, Wire strippers

#### INSTALLATION PRECAUTIONS

**Note: Proceed only if you are a qualified installer otherwise let your dealer do it.**

- \* Always wear protective eyewear when using tools
- \* Turn OFF all stereo and other electrical devices before you begin
- \* Disconnect the (-) negative lead from your vehicle's battery.
- \* Keep the speakers in the package until final installation.
- \* Locate fuel lines, brake lines, oil lines, electrical cables when planning installation.
- \* Check to see clearance behind the mounting surface before installing speakers.
- \* When running speaker wires through sheet metal, be sure to use grommets to properly insulate the wires from metal edges.

**10" TSP DATAS & ENCLOSURE RECOMMENDATION****SX.v2 10S4**

VC: 4 Ohm  
RDC: 3.6 Ohm  
Fs: 33 Hz  
SD: 330.06 sqCM  
Vas: 26.06 Ltr  
Cms: 160  $\mu$ M/N  
Mms: 128.8 g  
BL<sup>TM</sup>: 13.38  
Qms: 5.55  
Qes: 0.57  
Qts: 0.52  
No: 0.15%  
Splo: 85 dB  
Xmax: 9.5 / 19 mm

**Optimum Ported  
10" SPL Box :**

Internal Volume: 42,8 Liter  
VB nett Volume: 38,8 Liter  
Port Diameter: 2x 75 mm  
Port Length: each 240 mm  
F3: 41,5 Hz  
FB: 49,4 Hz

**Enclosure Metrics**

MDF: 19 mm  
Wide: 540 mm  
Height: 310 mm  
Depth: 355 mm

**SX.v2 10D4**

VC: 2x 4 Ohm  
RDC: 1.6 Ohm Parallel  
Fs: 33 Hz  
SD: 330.06 sqCM  
Vas: 31.66 Ltr  
Cms: 225.8  $\mu$ M/N  
Mms: 126.7 g  
BI<sup>TM</sup>: 8.37  
Qms: 4.7  
Qes: 0.61  
Qts: 0.54  
No: 0.16%  
Splo: 85.3 dB  
Xmax: 9.5 / 19 mm

**Optimum Ported  
10" SQPL Box :**

Internal Volume: 40,0 Liter  
VB nett Volume: 31,3 Liter  
Port Height: 38 mm  
Port Wide: 332 mm  
Port Length: 390 mm  
F3: 44,8 Hz - FB: 53,0 Hz

**Enclosure Metrics**

MDF: 19 mm  
Wide: 370 mm  
Height: 400 mm  
Depth: 385 mm

## 12" TSP DATAS & ENCLOSURE RECOMMENDATION

### **SX.v2 12S4**

VC: 4 Ohm  
RDC: 3.6 Ohm  
Fs: 35 Hz  
SD: 510.7 sqCM  
Vas: 47.5 Ltr  
Cms: 120  $\mu$ M/N  
Mms: 150.5 g  
BL<sup>TM</sup>: 13.09  
Qms: 5.3  
Qes: 0.71  
Qts: 0.63  
No: 0.3%  
Splo: 87.7 dB  
Xmax: 9.5 / 19 mm

### **Optimum Ported 12" SPL Box :**

Internal Volume: 56,2 Liter  
VB nett Volume: 49,2 Liter  
Port Diameter: 2x 100 mm  
Port Length: each 250 mm  
F3: 46,2 Hz  
FB: 55,0 Hz

### **Enclosure Metrics**

MDF: 19 mm  
Wide: 540 mm  
Height: 360 mm  
Depth: 360 mm

### **SX.v2 12D4**

VC: 2x 4 Ohm  
RDC: 1.6 Ohm Parallel  
Fs: 36 Hz  
SD: 510.7 sqCM  
Vas: 46.4 Ltr  
Cms: 120  $\mu$ M/N  
Mms: 142,04 g  
BL<sup>TM</sup>: 8.33  
Qms: 4.85  
Qes: 0.77  
Qts: 0.66  
No: 0.31  
Splo: 88 dB  
Xmax: 9.5 / 19 mm

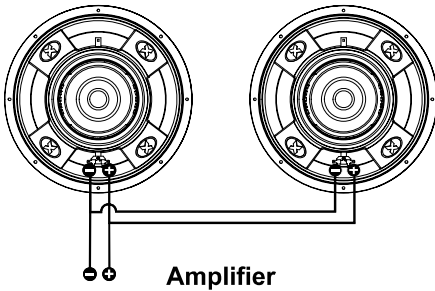
### **Optimum Ported 12" SQPL Box :**

Internal Volume: 51,0 Liter  
VB nett Volume: 39,0 Liter  
Port Wide: 382 mm  
Port Height: 42 mm  
Port Length: 390 mm  
F3: 46,6 Hz - FB: 53,0 Hz

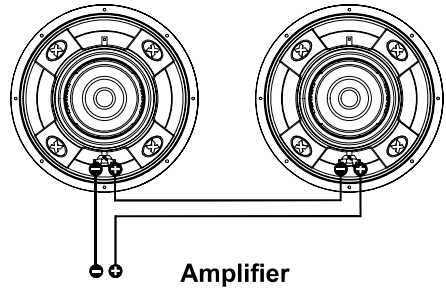
### **Enclosure Metrics**

MDF: 19 mm  
Wide: 420 mm  
Height: 450 mm  
Depth: 380 mm

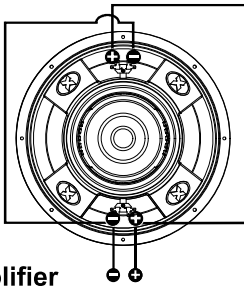
## WIRING DIAGRAM



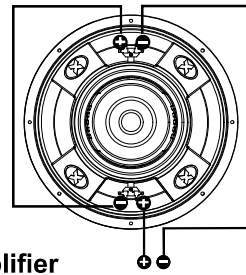
Parallel 2x Single 4 ohm subs = 2 ohm



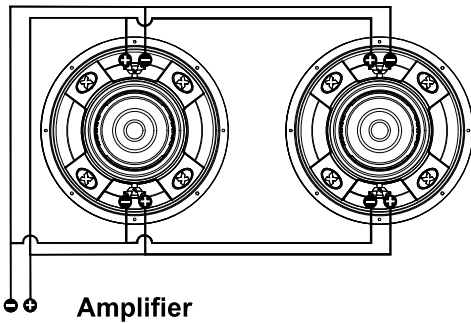
Series 2x Single 4 ohm subs = 8 ohm



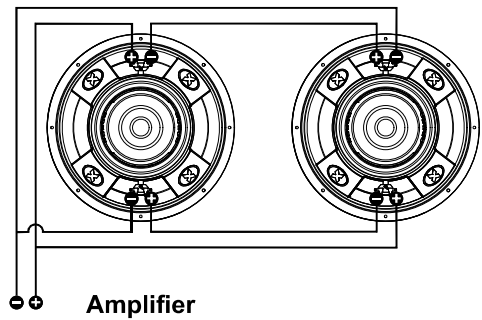
Parallel 1x Dual 4 ohm sub = 2 ohm



Series 1x Dual 4 ohm sub = 8 ohm



Parallel-Parallel 2x Dual 4 ohm subs = 1 ohm



Series-Parallel 2x Dual 4 ohm sub = 4 ohm



## **SPECIFICATIONS FOR EXCURSION SX.V2 SUBWOOFER SERIES**

(Due to Constant Improvements, Specifications and Parameters are subject to change without notice)

Model	Size	Nominal Impedance	Power RMS/PEAK W	Sensitivity 1W/1M	Motor Size	Mounting Depth	Inner Dia. Cut out	Outer Dia.	Kg
SX.V2 10S4	10"/25cm	1x4Ohm	400 / 1000 W	90dB	160 oz.	129mm	232mm	262mm	4,1
SX.V2 10D4	10"/25cm	2x4Ohm	400 / 1000 W	91dB	160 oz.	129mm	232mm	262mm	4,1
SX.V2 12S4	12"/30cm	1x4Ohm	400 / 1000 W	91dB	160 oz.	135mm	280mm	316mm	4,5
SX.V2 12D4	12"/30cm	2x4Ohm	400 / 1000 W	92dB	160 oz.	135mm	280mm	316mm	4,5

**CAUTION:** Excursion Subwoofer are capable of producing dangerous SPL levels

**ATTENTION:** Excursion Subwoofer demand at least 50 hours break in time for maximum Performance.



## EXCURSION LIMITED WARRANTY POLICY

EXCURSION Intl. offers limited warranty on EXCURSION products under normal use on the following terms:

**EXCURSION Speakers are to be free of defects in material and workmanship for a period of one year.**

This warranty applies only to EXCURSION products sold to consumers by Authorized EXCURSION Dealers in Germany. Products purchased by consumers from an EXCURSION dealer in another country are covered only by that country's Distributor and not by EXCURSION Intl.

This warranty covers only the original purchaser of EXCURSION product. In order to receive service, the purchaser must provide EXCURSION with the receipt stating the consumer name, dealer, product and date of purchase.

Products found to be defective during the warranty period will be repaired or replaced (with a product deemed to be equivalent) at Excursion's discretion and will not be liable for incidental or consequential damages. EXCURSION will not warranty this product under the following situations:

- \* **Speakers received with bent frames or water damages**
- \* **Abuse such as holes in the cone, surround or ripped spider**
- \* **Voice coil damage due to amplifier clipping or distortion**
- \* **Product that has not been installed according to this owner manual**

Any implied warranties including warranties of fitness for use and merchantability are limited in duration to the period of the express warranty set forth above. No person is authorized to assume for EXCURSION any other liability in connection with the sale of this product.

**Please call prior your authorized EXCURSION dealer** the product got purchased. In case they are not accessible call 0961-416-0420 for EXCURSION Customer Service. You must obtain an RA# (Return Authorization Number) to return any product to EXCURSION Intl. The RA number must be prominently marked on the outside of the shipping carton or the delivery will be refused. Please pack your return carefully! We are not responsible for items damaged in shipping. Return the defective product along with a copy of the original dated retail sales receipt, plus 10,- EUR for handling and diagnostic evaluation to:

**EXCURSION Intl. - A Division of CHPW**  
**Attn: Returns (RA# ..... )**  
**Neustaedter Str. 20**  
**D-92685 Floss / Germany**



*...is all you need*

**EXCURSION - A Division of CHPW**

All Rights reserved - Intl. Trademark No: 010 640 597

Friedrich-Ebert-Str. 42 - D-92637 Weiden / Germany

