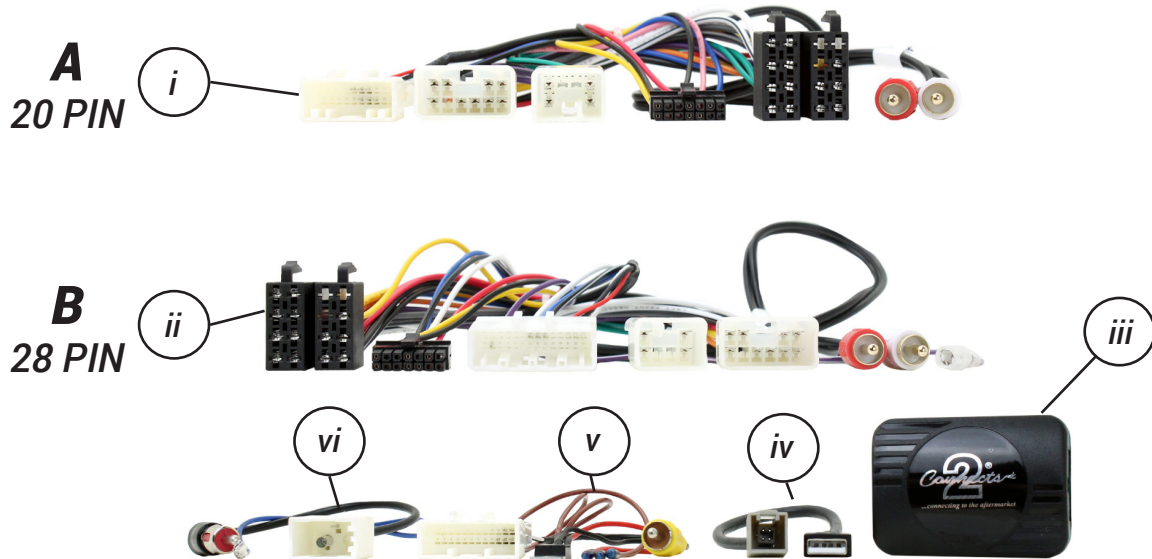




CTSTY008.2

Steering Wheel Control Interface for Toyota Vehicles



i. Harness A (20 Pin)
ii. Harness B (28 Pin)
iii. Interface Box

iv. USB Retention Lead
v. Camera Retention Lead
vi. Antenna Adapter

Designed and Engineered in the UK.

APPLICATION

Note: Application data is subject to change at any time

Toyota Avensis	2001>	Toyota Estima	2001>	Toyota Matrix	2003>
Toyota Corolla	2001>	Toyota Previa	2001>	Toyota Vios	2002>
Toyota RAV4	2001>	Toyota Fortuner	2005>	Toyota Rush	2006>
Toyota Yaris	2001>	Toyota Innova	2004>	Toyota Prius	2003>
Toyota 4Runner	2001>	Toyota Landcruiser	1998>	Toyota Hilux	2004>
Toyota Avanza	2001>	Toyota Prado	2001>	Toyota Verso	2009>

For analogue vehicles with 20 or 28 Pin connector and Fujitsu Ten/Matsushita original stereo

FEATURES

- Compatible with Vehicles Equipped with 20 or 28 Pin Connector
- Retains Factory Steering Wheel Control Functions
- Retains Factory Phone Buttons
- Retains Factory Reversing Camera, Aux Input & USB Input
- Provides Reverse Gear Output (Harness B Only)
- Updateable via USB (contact supplier for more information)

DISCLAIMER

The information provided in this document is subject to change without notice due to manufacturer changes and/or improvements to the product/s. This instruction manual is based on documented data and research. The manufacturer of this product cannot be held responsible for any changes made to the vehicle by the manufacturer or damages that may occur through the installation of this product in accordance with the steps outlined herein.

PRIOR TO INSTALLATION

Read the manual prior to installation. Technical knowledge is necessary for installation. The place of installation must be free of moisture and away from heat sources. Please ensure that the correct tools are using during the installation to avoid damage to the vehicle or product. Connects2 can not be held responsible for the installation of this product.

SELECTING A HARNESS: This interface features two harnesses (A & B) for installation into vehicles with either 20 or 28 Pin connector types. Before installation, select the harness required dependant on the vehicle and discard the second harness.

WIRING KEY

IN WIRING HARNESS

Purple	Right Rear Speaker +	Yellow	Permanent 12V
Purple/Black	Right Rear Speaker -	Black	Ground
Green	Left Rear Speaker +	Red	Ignition 12V
Green/Black	Left Rear Speaker -	Orange	Illumination
Grey	Right Front Speaker +		
Grey/Black	Right Front Speaker -		
White	Left Front Speaker +		
White/Black	Left Front Speaker -		

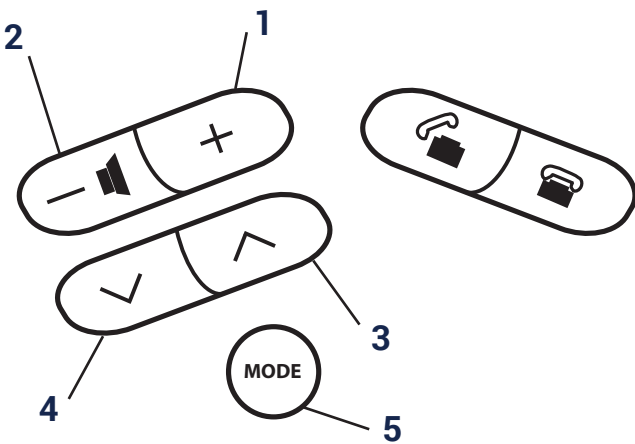
ADDITIONAL CONNECTIONS

Purple/White	Reverse Gear (<i>Harness B only</i>)
Red/White RCA	Connect to aftermarket stereo
USB Retention Lead	Connect to 4 pin connector from vehicle and aftermarket stereo to retain factory USB input
Camera Retention Lead	Connect white connector to vehicle connector and yellow RCA to aftermarket stereo to retain factory reversing camera (<i>See Wiring Diagram on Pg.4 for more details</i>)
Antenna Adapter	Connect white connector to vehicle connector and DIN connector to aftermarket stereo to retain factory antenna

STEERING WHEEL CONTROL FUNCTIONALITY

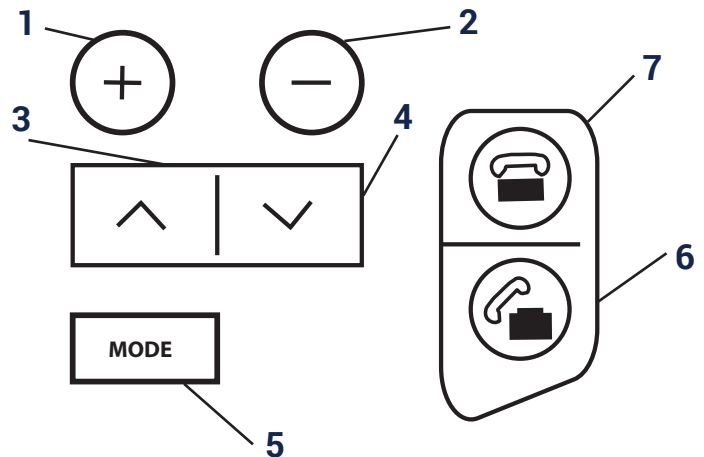
The following diagram, though based on careful research, is an example only. Individual steering wheel control configurations may differ.

HARNESS A FOR VEHICLES WITH 20 PIN CONNECTOR



1. Track +	5. Source
2. Track -	
3. Volume +	
4. Volume -	

HARNESS B FOR VEHICLES WITH 28 PIN CONNECTOR



1. Track +	5. Source
2. Track -	6. Pick Up
3. Volume +	7. Hang Up
4. Volume -	

Before installing the interface, the factory stereo must be removed and disconnected. To do this, please consult the vehicle owner's manual/handbook or contact a fitting professional.

A stereo connection (patch) lead is also required for the installation of this interface (supplied separately). Please ensure that you have the correct lead before proceeding. For universal patch leads, prepare the wiring loops in accordance with the instruction manual supplied with the product before installation.

1. Connect the 12 Pin connector from the stereo connection (patch) lead to the interface box (i)
2. Connect the opposite end of the stereo connection (patch) lead to the steering wheel control input on the back of the aftermarket stereo

NOTE: This may be a 3.5mm jack connector or a wired input depending on the brand of aftermarket stereo being fitted. Please consult the aftermarket stereo installation manual for further information on where to make the connection

IMPORTANT: THIS STEP MUST BE COMPLETED BEFORE CONNECTING POWER TO THE INTERFACE. FAILURE TO DO SO MAY RESULT IN A LACK OF FUNCTIONALITY AND THE NEED TO REINSTALL THE PRODUCT

3. Connect the 14 Pin connector from the supplied wiring loom to the interface box (i)
4. Connect the male power/speaker ISO connector to the female power/speaker ISO connector from the aftermarket stereo. (ii)

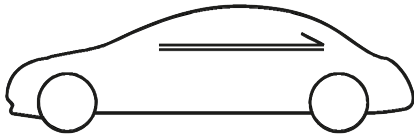
NOTE: For aftermarket stereos which do not have an ISO connector, please see "Wiring Key" on Pg.2 for information on which wires to connect. Some interfaces may also have additional 'flying' wires which can be connected to the vehicle to support various features ie. parking brake trigger, reverse gear and speed pulse. Details of these can be found under 'Additional Connections'

5. Make any additional connections to the vehicle to retain other features, for e.g. Aux and USB Inputs, if they were present in the vehicle prior to the installation. Please see 'Additional Connections' on Pg.2 for more information on these connections.
6. Connect the female vehicle specific connector/s on the supplied harness to the male vehicle specific connector from the vehicle. Please refer to wiring diagram on Pg.4, or cover photo on Pg.1 for more information on the connector style of this interface. Common styles include Mini ISO or Quadlock. (iii)
7. Test stereo and steering wheel control functionality for correct operation before reassembling the vehicle dashboard. If steering wheel control functions are unresponsive, please uninstall the interface and wiring and reinstall carefully in accordance with the above steps.

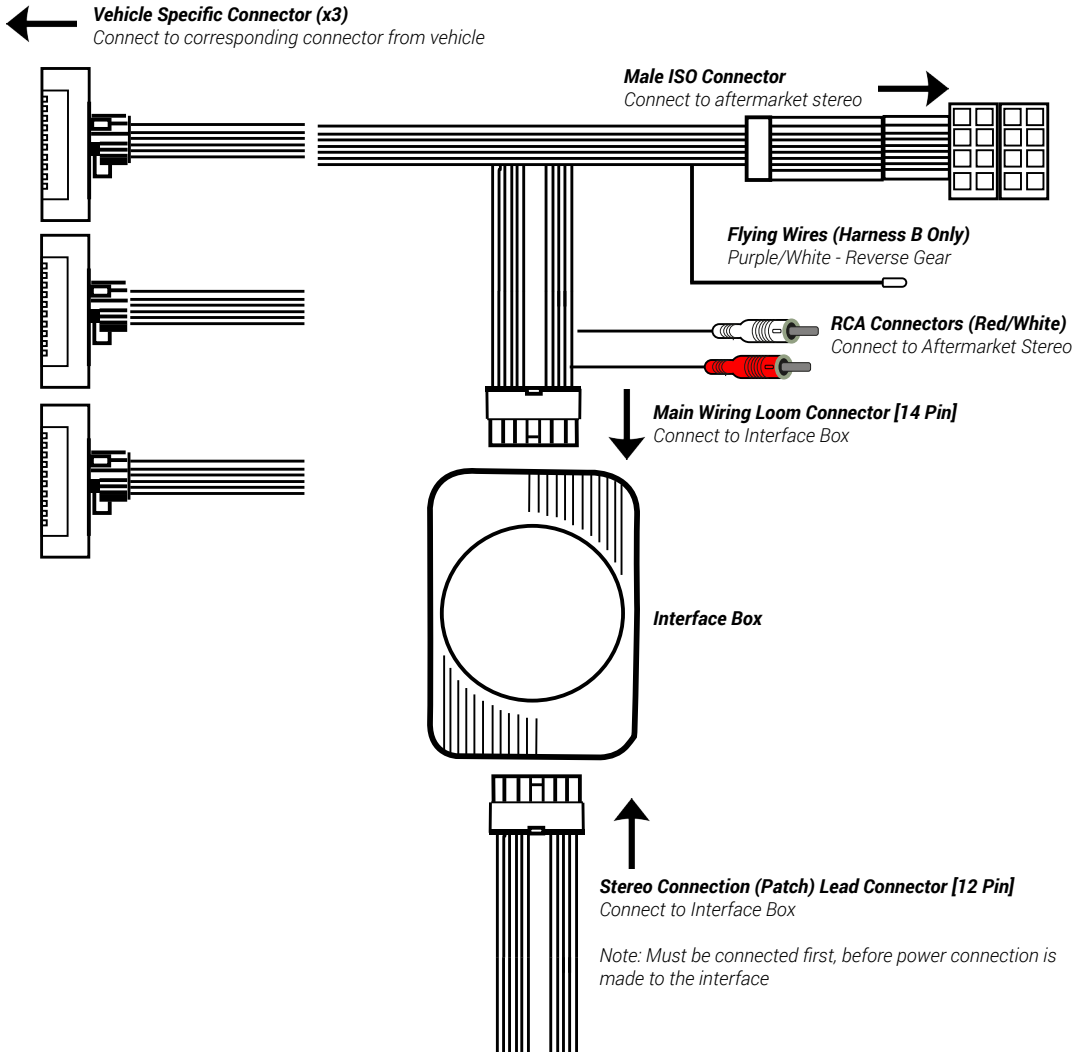
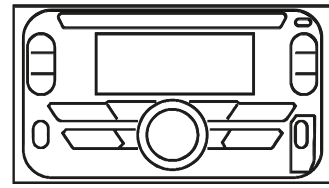
For further help and support, please contact us directly at support.connects2.com/tickets/technical and fill out a support ticket with the full details of your issue.

HARNESS WIRING DIAGRAM

TOWARDS VEHICLE



TOWARDS STEREO



CAMERA RETENTION LEAD WIRING DIAGRAM

