



...connecting to the aftermarket

CT24VL12

Single DIN Fascia Plate for Volvo vehicles



Vehicle Application

- Volvo C30 (P14) 2007–2013 (Hatchback)
- Volvo S40 II (P11) 2004–2012 (Saloon)
- Volvo V50 (P12) 2004–2012 (Estate)
- Volvo C70 II (P15) 2006–2013 (Convertible)

Key Features

- This fascia kit allows the installation of an aftermarket head unit into a non din sized aperture
 - High quality finish designed to match the vehicle dashboard
 - Fascia kit supplied with mounting bracket

www.connects2.com

Designed and
Engineered
in the UK. 

The information provided in this document is subject to change without notice due to changes and/or improvements to the product/s.

ABOUT THIS PRODUCT

CT24VL12

Single DIN Fascia Plate (Matte Black) for Volvo vehicles.

INSTALLATION KIT INCLUDES

1x Single DIN Fascia Plate
1x Metal Bracket
2 x Clip Mount
4 x M5 x 8 Screws

TOOLS NEEDED

Screwdriver (T20 screws)
Bojo panel removers

PRIOR TO INSTALLATION

*Read the manual prior to installation. Technical knowledge is necessary for installation. The place of installation must be free of moisture and away from heat sources. Please ensure that the correct tools are using during the installation to avoid damage to the vehicle or product. **Connects2 can not be held responsible for the installation of this product.***

TECHNICAL SUPPORT

Connects2 Ltd. want to provide a fast and suitable resolution to any problems encountered during installation of this product. To get in touch with our dedicated technical support team, please fill in a ticket at support.connects2.com and provide as much information as possible.

FOLLOW US ON SOCIAL MEDIA

for all the latest updates



[/CONNECTS2](https://www.youtube.com/channel/UC...)
Watch us on
YouTube



[/CONNECTS2](https://www.facebook.com/CONNECTS2)
Like us on
facebook



[CONNECTS2LTD](https://www.instagram.com/CONNECTS2LTD)
Follow us on
instagram



[@CONNECTS2](https://twitter.com/CONNECTS2)
Follow us on
twitter



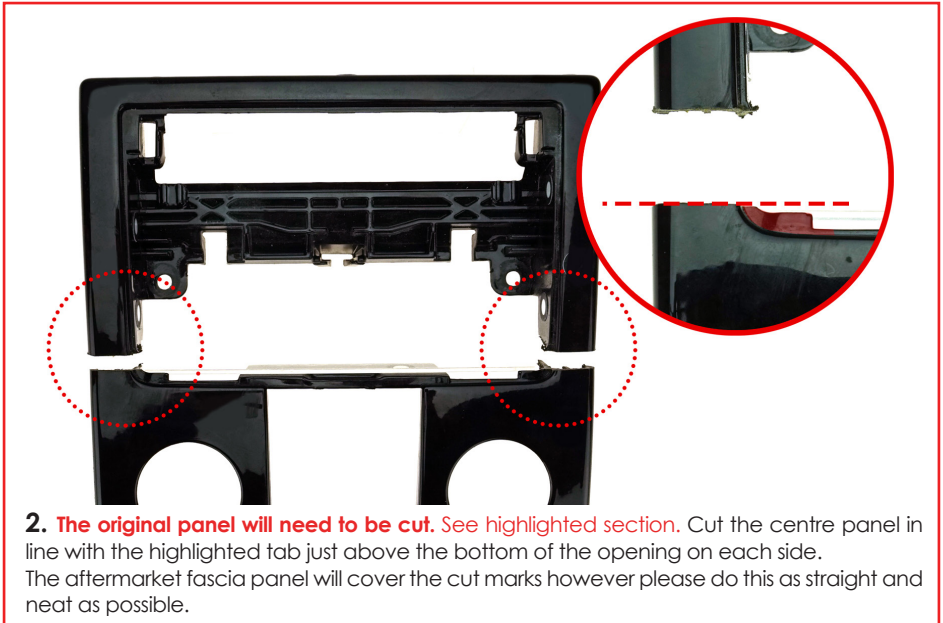
[CONNECTS2LTD](https://www.linkedin.com/company/CONNECTS2LTD)
Follow us on
linkedin



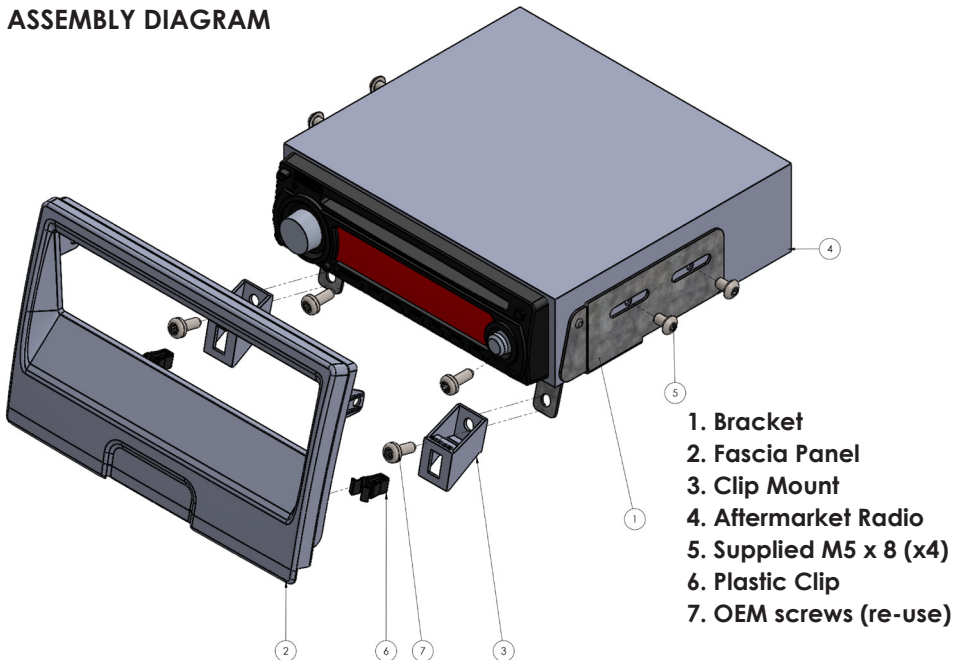
[CONNECTS2BLOG.COM](https://www.connects2.com/blog)
Follow our blog on
wordpress

FITTING GUIDE

1. Use a panel removal tool to carefully remove the OEM radio and centre panel of the car.

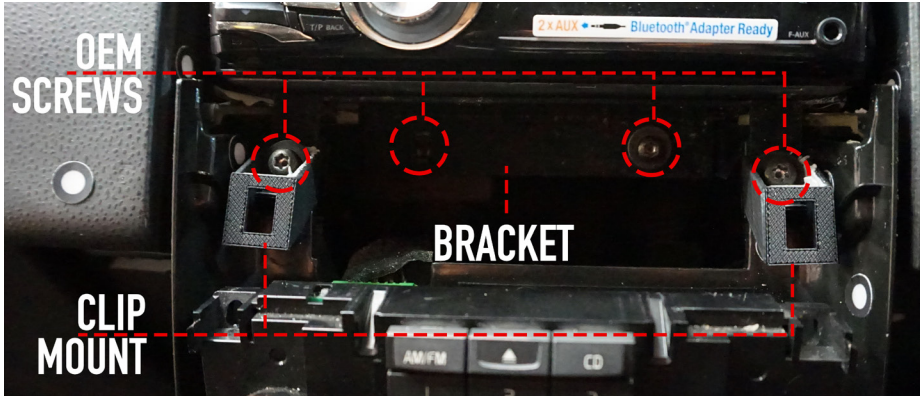


ASSEMBLY DIAGRAM



FITTING GUIDE

3. Use supplied M5 x 8 screws (x4) to attach the bracket to the aftermarket stereo.
4. Use OEM screws to secure the bracket and stereo into the open dash of the vehicle.
5. Use the supplied clip mounts (x2) and OEM screws to secure into the open dash of the vehicle as pictured.



6. Re install OEM centre console panel.
7. Attach clips to fascia panel as pictured in assembly diagram.
8. Push fascia panel in to place. Fascia panel should clip into place, lining up clips in to clip mount brackets. Fascia lip will cover cut OEM centre panel as pictured.

