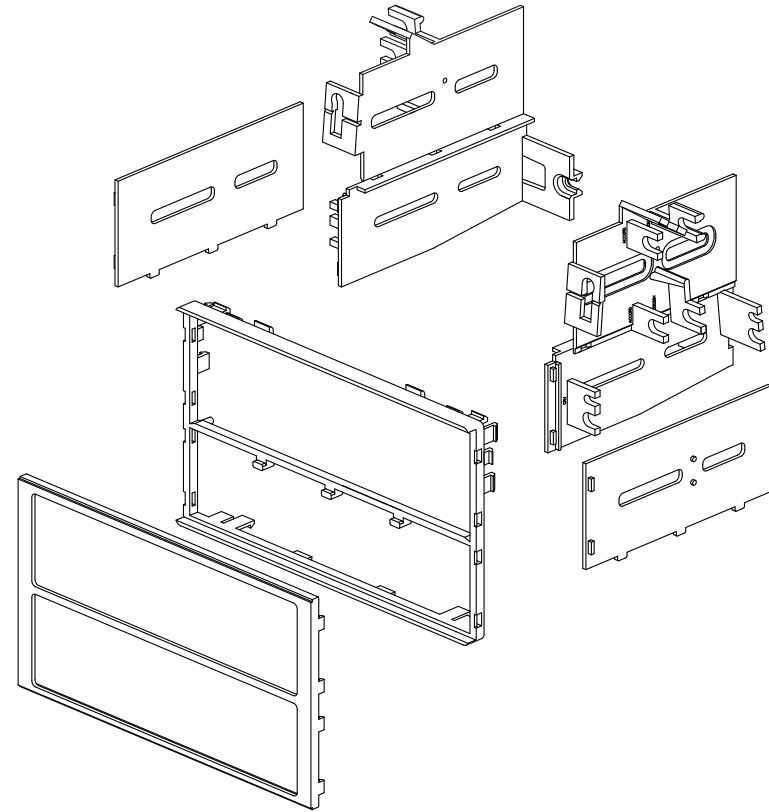




CT23HD46

...connecting to the aftermarket



VEHICLE APPLICATIONS

Acura

1997-99 CL
1990-01 INTEGRA
1986-96 LEGEND
2002-05 RSX (non S-type)
1996-98 TL
1992-94 VIGOR

Honda

1990-02 ACCORD
1999-00 CIVIC

*2006-12 CIVIC

*2006-12 CIVIC SI

1997-06 CRV

2003-11 ELEMENT

2007-11 ELEMENT LX

1995-04 ODYSSEY

2005-08 PILOT LX

1989-01 PRELUDE

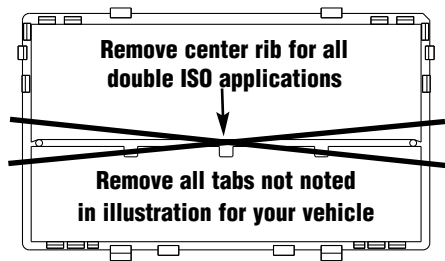
Isuzu

1996-99 OASIS

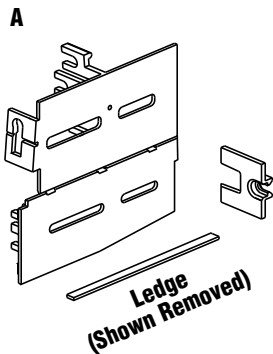
***Requires Dash Bezel HCB-8800L or HCB-8800D for all Non-Navigation Equipped Vehicles.**

KIT PREPARATION

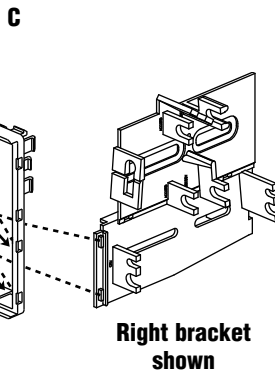
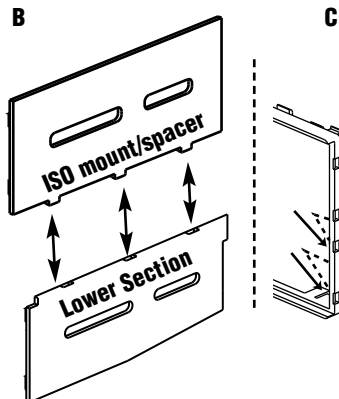
1. Locate the CT23HD46 main frame bracket.
2. Find the page that has the year and make of vehicle you are working on **page 11-15**.
3. Locate the left and right side mounting brackets.
4. Following the illustration on the page for your vehicle, remove all mounting tabs from the main frame and file or trim flush with the rear edge of the main bracket.
5. Remove all mounting tabs from the left and right side brackets unless they are illustrated on your vehicle's instruction page.
6. Using a pair of pliers, carefully bend and remove the ledge from the inside of the left and right mounting brackets, and file edge smooth. See Illustration A below.
7. Remove the rear pocket attachment bracket. See illustration A below.
8. Set the front of the main bracket face down on a clean work bench. Make sure you know which side is your top (see your vehicle's instruction page) so you do not mount the radio components upside down in the kit.
9. Attach the left and right brackets to the kit as shown in illustration C below.
10. Place the radio components one at a time between the mounting brackets and using the screws provided (screws may have to be shortened so they do not touch any internal components of radio) and attach the radio components to the brackets loosely.
11. Set the kit with radio components upright, and attach the Double ISO trim ring to the front of the kit (NOTE: the trim ring will only attach one way).
12. Adjust the radio components forward for desired look, and tighten mounting screws.



Vehicles w/side mounting brackets on factory radio

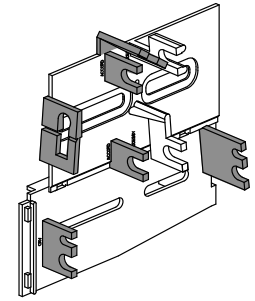
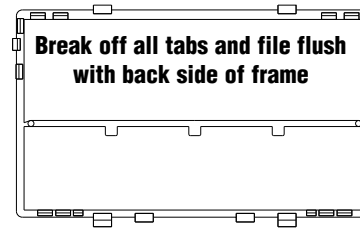


Vehicles w/o side mounting brackets on factory radio



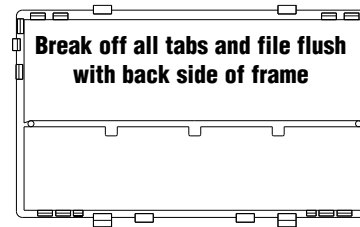
VEHICLE SPECIFIC KIT PREPARATION

1999-04 HONDA ODYSSEY

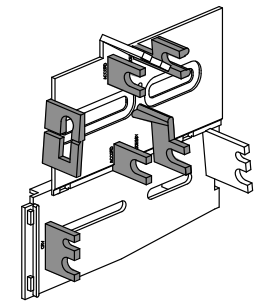


Remove all shaded tabs shown above on left and right brackets. (Left bracket not shown)

2005 HONDA PILOT 2006-08 HONDA PILOT LX

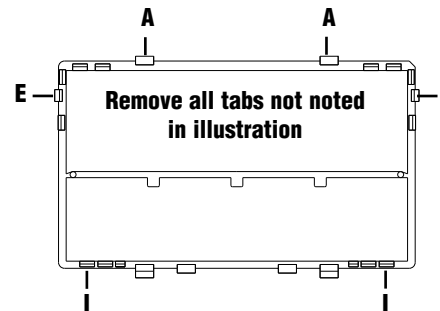


2005-08 Honda Pilot LX Bracket Preparation

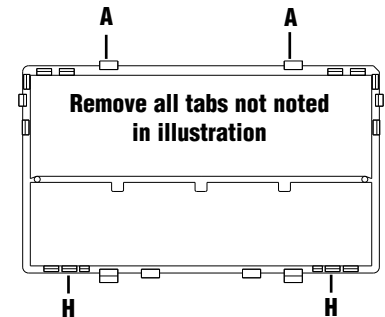


Remove all shaded tabs shown above on left and right brackets. (Left bracket not shown)

1989-91 HONDA PRELUDE

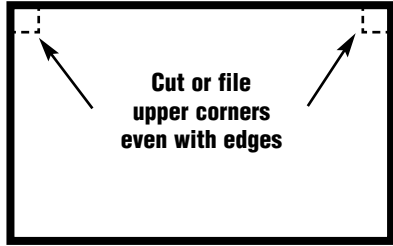
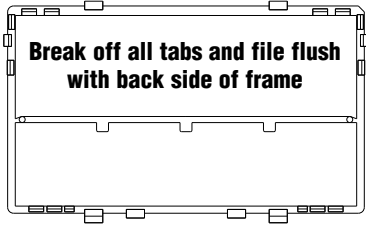


1997-01 HONDA PRELUDE

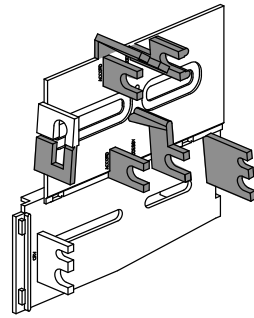


VEHICLE SPECIFIC KIT PREPARATION

2002-06 HONDA CRV

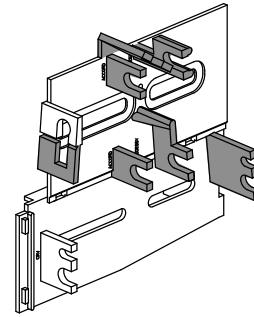
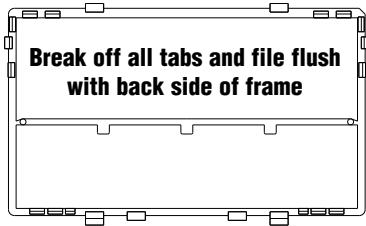


View of radio cavity



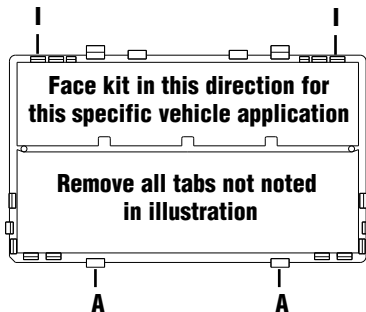
Remove all shaded tabs shown above on left and right brackets. (Left bracket not shown)

2003-06 HONDA ELEMENT 2007-11 HONDA ELEMENT LX



Remove all shaded tabs shown above on left and right brackets. (Left bracket not shown)

1995-98 HONDA ODYSSEY 1996-99 ISUZU OASIS

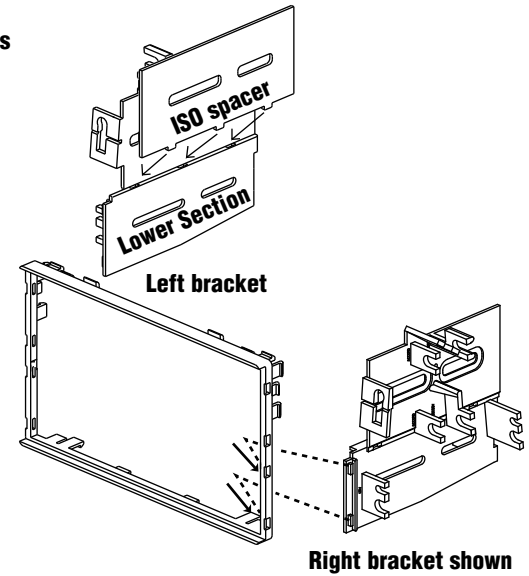


NOTE: ISO mount screws are provided for your convenience. Always check depth inside ISO holes on radio to determine if screws must be cut shorter so they don't touch any electronic or mechanical parts on radio.

*** ATTENTION:**
Do not detach upper section of brackets for these vehicles

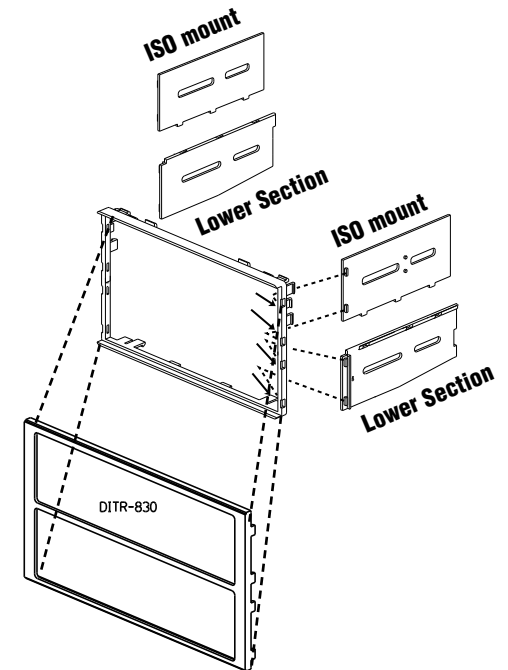
- 1998-02 Honda Accord
- 2002-06 Honda CRV
- 2003-11 Honda Element
- 1999-04 Honda Odyssey
- 2005-08 Honda Pilot LX

Remove all mounting tabs from the left and right side brackets unless they are illustrated on your vehicle's instruction page.



Double ISO Bracket Assembly For Vehicles Listed Below

- | | |
|-------|------------------------|
| 90-97 | Honda Accord |
| 99-00 | Honda Civic |
| 02-05 | Honda Civic SI |
| 06-12 | Honda Civic/Civic SI |
| 97-01 | Honda CRV |
| 03-11 | Honda Element |
| 95-98 | Honda Odyssey |
| 05-08 | Honda Pilot LX |
| 89-01 | Honda Prelude |
| 97-99 | Acura CL |
| 90-00 | Acura Integra |
| 86-96 | Acura Legend |
| 02-05 | Acura RSX (non S-type) |
| 96-98 | Acura TL |
| 92-94 | Acura Vigor |
| 96-99 | Izusu Oasis |



1997-99 ACURA CL

DASH DISASSEMBLY

1. Unsnap the dash panel and unplug the clock connector .
2. Remove (2) 8mm screws from the radio and unplug connectors and remove factory radio.

1990-93 ACURA INTEGRA

DASH DISASSEMBLY

1. Remove (3) screws from the sides of the center console and remove the console.
2. Remove (2) screws holding the factory unit to the sub dash support bracket.
3. Remove the factory radio pocket from the dash cavity.

1994-01 ACURA INTEGRA

DASH DISASSEMBLY

1. Using a panel tool pry outward on the cap under the emergency brake and remove. Remove the (2) screws in that area.
2. Remove (1) screw from each rear corner of the lower console and remove.
3. Remove the ashtray and the (2) screws from the rear of that area.
4. Unsnap the housing and unplug the connectors and remove the housing. Remove the shifter and unsnap the trim piece.
5. Remove (1) screw from each rear corner of the upper console and (2) screw from below the radio opening.
6. Remove the console bezel.
7. Remove (2) 8mm screws holding the factory radio in place.
8. Disconnect the connector and remove radio.

1986-89 ACURA LEGEND

DASH DISASSEMBLY

1. Remove the front console trim.
2. Remove the (6) screws securing the radio/center panel to the sub-dash.
3. Disconnect the wire harnesses connected to the radio and lighter and unplug the antenna lead, and remove the radio/panel.
4. Remove the (2) screws securing the factory radio to the panel assembly, and remove the radio.

1990-96 ACURA LEGEND

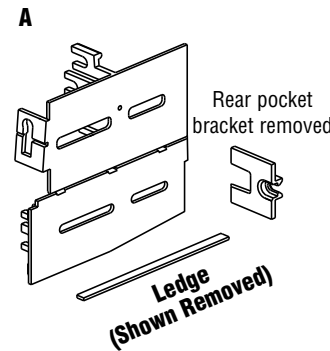
DASH DISASSEMBLY

1. Remove (2) screws below the ashtray and unclip the dash panel
2. Unplug the lighter and remove the panel.
3. Remove the (2) screws holding the rear of the factory radio to the sub dash.
4. Unplug radio connector and remove radio.

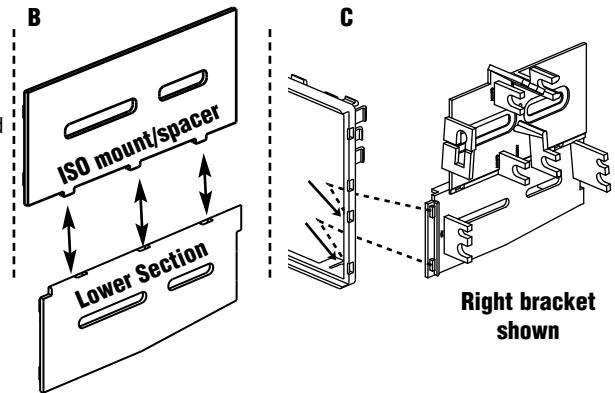
HCB-8800 BEZEL ASSEMBLY INSTRUCTIONS

1. Remove the (3) Phillips screws securing the Vent to the rear of the factory radio/climate control assembly and attach to the same location on the rear of the HCB-8800 bezel.
2. Remove the (2) Phillips screws securing the passenger airbag on/off light fixture to the rear of the factory radio/climate control assembly and attach to the same location on the rear of the HCB-8800 bezel.
3. Remove the (2) Phillips screws securing the hazard light switch to the rear of the factory radio/climate control assembly and attach to the same location on the rear of the HCB-8800 bezel.
4. Remove the (4) Phillips screws securing the climate control module to the rear of the factory radio/climate control assembly and attach to the same location on the rear of the HCB-8800 bezel.

Vehicles w/side mounting brackets on factory radio

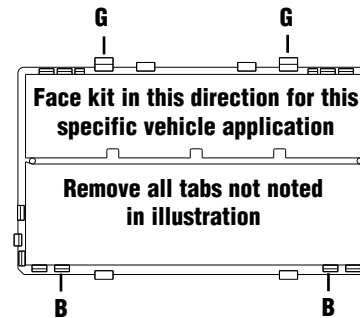


Vehicles w/o side mounting brackets on factory radio

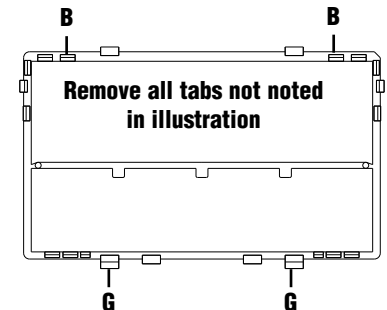


VEHICLE SPECIFIC KIT PREPARATION

2002-05 HONDA CIVIC SI

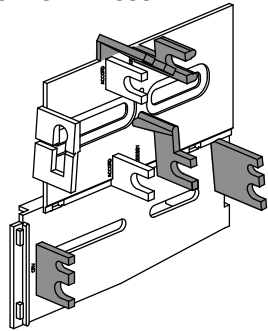


1997-01 HONDA CRV



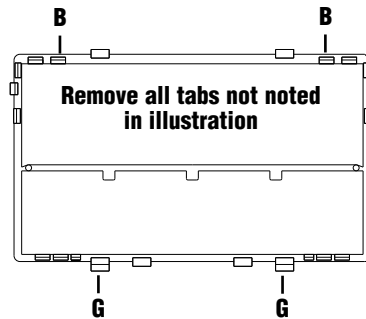
VEHICLE SPECIFIC KIT PREPARATION

1998-02 HONDA ACCORD



Remove all shaded tabs shown above on left and right brackets. (Left bracket not shown)

1999-00 HONDA CIVIC

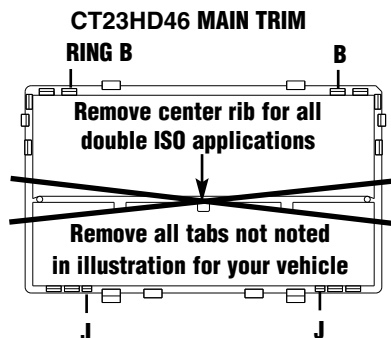


2006-11 HONDA CIVIC/CIVIC SI

DOUBLE ISO/DOUBLE DIN INSTALLATIONS

1. Follow steps 1-4 on page 2 of the instruction booklet.
2. Using a pair of pliers, carefully bend and remove the ledge from the inside of the left and right mounting brackets, and file edge smooth. See Illustration A page 13.
3. Remove the rear pocket attachment bracket. See Illustration A page 13.
4. Set the front of the main bracket face down on a clean work bench. Make sure you know which side is your top so you do not mount the radio components upside down in the kit.
5. Insert ISO Spacers onto Left & Right mounting brackets. See Fig. B page 13.
6. Attach the left and right brackets to the kit as shown in Illustration C page 13.
7. Place the radio component(s) between the mounting brackets and using the screws provided (screws may have to be shortened so they do not touch any internal components of radio) and attach the radio component(s) to the brackets loosely.
8. Set the kit with radio component(s) upright, and attach the Double ISO trim ring to the front of the kit (NOTE: the trim ring will only attach one way).
9. Adjust the radio component(s) forward for desired look, and tighten mounting screws. Insert kit into CT23HD46 Dash Bezel, lead bottom edge of kit in first, then snap top in.

2006-11 HONDA CIVIC/CIVIC SI



2002-05 ACURA RSX (non S-type)

DASH DISASSEMBLY

1. Carefully unsnap and remove the dash panel directly below the factory radio, disconnect the wire harness from the panel and remove panel.
2. Remove the (2) Phillips screws located directly below the rear of the radio.
3. Carefully pull radio forward, disconnect wire harness and antenna lead from radio and remove radio.

1996-98 ACURA TL

DASH DISASSEMBLY

1. Starting from the bottom, carefully unclip and remove the trim bezel from around radio and climate controls.
2. Unplug the wire harnesses for the climate control and rear defroster and remove the trim bezel.
3. Remove the (4) Phillips screws securing the factory radio/trim bezel to the sub-dash.
4. Carefully pull radio forward, disconnect wire harness(s) and antenna lead and remove radio/trim bezel assembly.
5. Loosen the (2) Phillips screws securing the back of the factory radio to the metal frame, and remove radio.

1992-94 ACURA VIGOR

DASH DISASSEMBLY

1. Remove the access cap from the climate control and (1) screw from there.
2. Unsnap the cluster and remove (2) screws from the ashtray area.
3. Remove each cap and screw from the front of the console.
4. Remove (2) screws from the storage compartment and remove it.
5. Unsnap the dash panel and unplug the connectors.
6. Remove (2) 8mm screws from the rear of the factory radio and unplug radio connector and remove radio.

1990-93 HONDA ACCORD

DASH DISASSEMBLY

1. Open console lid and remove the mat and base cover.
2. Remove (4) screws from the bottom area of the center console.
3. Remove the shifter knob and remove console out.
4. Remove (2) screws holding the rear of the radio in place and remove radio enough to unplug radio connectors and antenna plug.

1994-97 HONDA ACCORD

DASH DISASSEMBLY

1. Slide drivers and passengers seat forward, and then remove (2) screws one on each side of the console.
2. Remove ashtray and remove (1) screw from ashtray area.
3. Open center console and remove cover plate on the bottom of console cavity. Remove (2) screws holding center console in place.
4. Remove drink holder & remove (1) Phillips screw that is angled downward at the front edge of the console.
5. After all the screws have been removed slide console back about 3" and then remove (2) screws holding radio trim bezel in place.
6. Pull gently on radio trim panel to unsnap and then unplug hazard switch and also the clock connector.
7. Remove (2) 8mm screws holding the rear of the radio in place and then slide radio out enough to unplug radio connectors and antenna plug and remove radio.

1998-02 HONDA ACCORD

DASH DISASSEMBLY

1. Gently pry out on the clock, unplug the harness and remove.
2. Remove the (1) Phillips screw at the rear of the clock cavity.
3. Remove the (2) Phillips screws from the bottom of the radio trim bezel.
4. Gently pull forward on the radio trim bezel (NOTE: there is a snap clip on each side of the trim beside the radio). Disconnect the wire harnesses and remove the trim panel.
5. Remove the (4) Phillips screws holding the radio in place, disconnect the wire harness and antenna lead and remove.

1999-00 HONDA CIVIC

DASH DISASSEMBLY

STEP 1

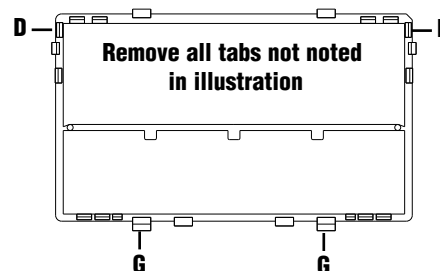
1. Remove the (2) phillips screws from the bottom edge of the glove box door and remove the door.
2. Remove the (3) phillips screws from the panel below the steering wheel column.
3. Gently pull down on the on steering wheel lower panel and remove.
4. Remove the (2) phillips screws from under the climate controls.
5. Remove the (4) phillips screws from the lower dash area.
6. Remove the (4) phillips screws holding the bottom of the trim bezel/radio assembly and gently pull out as far as you can.
7. Carefully cut the wire ties holding the climate control and radio wiring.
8. Carefully pull forward on the trim and radio assembly and remove from the dash cavity.
9. Disconnect all wiring.

STEP 2

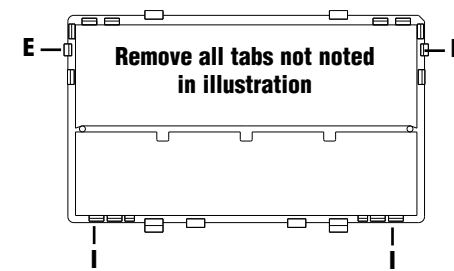
1. Remove the (3) screws holding the climate controls to the dash bezel and remove the controls.
2. Remove the (4) phillips screws holding the radio assembly to the back of the bezel.
3. Remove the (4) phillips screws holding the factory brackets to the radio.
4. Slide the radio out through the front of the trim bezel.

VEHICLE SPECIFIC KIT PREPARATION

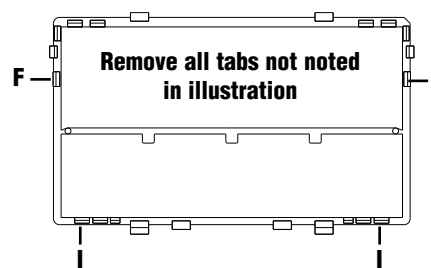
1997-99 ACURA CL 1992-94 ACURA VIGOR



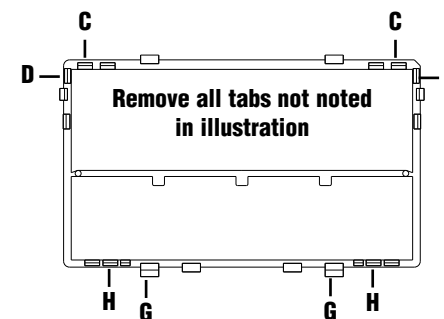
1990-01 ACURA INTEGRA



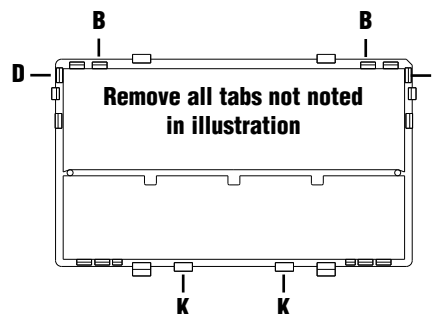
1986-96 ACURA LEGEND



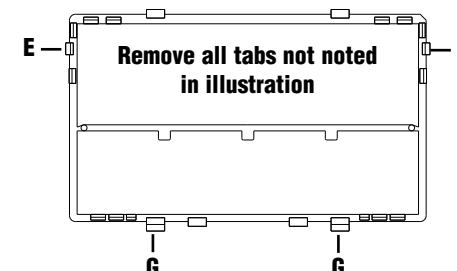
2002-05 ACURA RSX (non S-type)



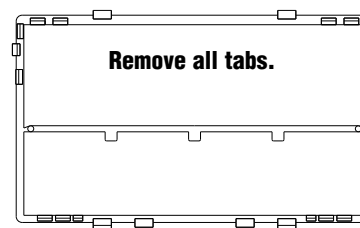
1996-98 ACURA TL



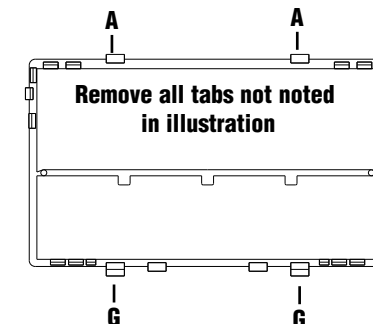
1992-96 HONDA ACCORD



1994-97 HONDA ACCORD



1998-02 HONDA ACCORD Continued on Page 12



**1990-93 HONDA ACCORD
1992-96 HONDA PRELUDE**

DASH DISASSEMBLY

1. Remove (2) screws above the radio area top of the console.
2. Remove four (4) screws from the side of the console area.
3. Move console enough to get to the (2) screws holding the shifter bracket to the console.
4. Remove four(4) screws holding the radio trim panel and then remove the radio assembly.

1997-01 HONDA PRELUDE

DASH DISASSEMBLY

1. Using a panel tool carefully pry upward on the radio dash bezel and remove
2. Remove (2) screws holding the radio sub dash piece in place and remove
3. Remove (4) screws holding the radio to the radio sub dash.
4. Reinstall the factory sub radio dash section and snap in the CT23HD46

1996-99 ISUZU OASIS

DASH DISASSEMBLY

1. Open the glove box door and remove the single plastic/rubber retainer stoppers on each side of the glove box.
2. Remove the (1) Phillips screw from the retaining arm on the right side of the glove box and lower glove box down out of the way.
3. Remove the (2) Phillips screws the bottom of the center console just above the carpet.
4. Remove the (2) Phillips screws from the right side of the center console.
5. Open the console storage pocket and remove the (2) Phillips screws from the upper section.
6. Remove the (2) Phillips screws from the under-dash panel on the drivers side and pop out the right side to allow removal of the (1) Phillips screw on the left side of the center console.
7. Carefully pull back on the lower console assembly to unplug the harnesses and remove console.
8. Remove the (2) Phillips screws securing each side of the drink tray and remove drink tray.
9. Remove the (2) 5/16 screws securing the factory radio to the sub-dash (located below the radio at the rear).
10. Carefully pull radio forward, disconnect wire harness and antenna lead and remove radio.

1994-97 HONDA ACCORD

DASH DISASSEMBLY

1. Slide drivers and passengers seat forward, and then remove (2) screws one on each side of the console.
2. Remove ashtray and remove (1) screw from ashtray area.
3. Open center console and remove cover plate on the bottom of console cavity. Remove (2) screws holding center console in place.
4. Remove drink holder & remove (1) Phillips screw that is angled downward at the front edge of the console.
5. After all the screws have been removed slide console back about 3" and then remove (2) screws holding radio trim bezel in place.
6. Pull gently on radio trim panel to unsnap and then unplug hazard switch and also the clock connector.
7. Remove (2) 8mm screws holding the rear of the radio in place and then slide radio out enough to unplug radio connectors and antenna plug and remove radio.

1998-02 HONDA ACCORD

DASH DISASSEMBLY

1. Gently pry out on the clock, unplug the harness and remove.
2. Remove the (1) Phillips screw at the rear of the clock cavity.
3. Remove the (2) Phillips screws from the bottom of the radio trim bezel.
4. Gently pull forward on the radio trim bezel (NOTE: there is a snap clip on each side of the trim beside the radio). Disconnect the wire harnesses and remove the trim panel.
5. Remove the (4) Phillips screws holding the radio in place,disconnect the wire harness and antenna lead and remove.

1999-00 HONDA CIVIC

DASH DISASSEMBLY

STEP 1

1. Remove the (2) phillips screws from the bottom edge of the glove box door and remove the door.
2. Remove the (3) phillips screws from the panel below the steering wheel column.
3. Gently pull down on the on steering wheel lower panel and remove.
4. Remove the (2) phillips screws from under the climate controls.
5. Remove the (4) phillips screws from the lower dash area.
6. Remove the (4) phillips screws holding the bottom of the trim bezel/radio assembly and gently pull out as far as you can.
7. Carefully cut the wire ties holding the climate control and radio wiring.
8. Carefully pull forward on the trim and radio assembly and remove from the dash cavity.
9. Disconnect all wiring.

STEP 2

1. Remove the (3) screws holding the climate controls to the dash bezel and remove the controls.
2. Remove the (4) phillips screws holding the radio assembly to the back of the bezel.
3. Remove the (4) phillips screws holding the factory brackets to the radio.
4. Slide the radio out through the front of the trim bezel.

**2003-06 HONDA ELEMENT
2007-11 HONDA ELEMENT LX**

DASH DISASSEMBLY

1. Unclip trim bezel from around radio. There are (2) slots on the bottom of the trim bezel.
2. Remove the (4) 8mm bolts securing factory radio to the sub-dash.
3. Pull radio forward, disconnect wire harness and antenna lead, and remove radio.

1995-98 HONDA ODYSSEY

DASH DISASSEMBLY

1. Open the glove box door and remove the single plastic/rubber retainer stoppers on each side of the glove box.
2. Remove the (1) Phillips screw from the retaining arm on the right side of the glove box and lower glove box down out of the way.
3. Remove the (2) Phillips screws the bottom of the center console just above the carpet.
4. Remove the (2) Phillips screws from the right side of the center console.
5. Open the console storage pocket and remove the (2) Phillips screws from the upper section.
6. Remove the (2) Phillips screws from the under-dash panel on the drivers side and pop out the right side to allow removal of the (1) Phillips screw on the left side of the center console.
7. Carefully pull back on the lower console assembly to unplug the harnesses and remove console.
8. Remove the (2) Phillips screws securing each side of the drink tray and remove drink tray.
9. Remove the (2) 5/16 screws securing the factory radio to the sub-dash (located below the radio at the rear).
10. Carefully pull radio forward, disconnect wire harness and antenna lead and remove radio.

1999-04 HONDA ODYSSEY

DASH DISASSEMBLY

1. Gently pry outward on radio trim bezel.
2. Disconnect all harnesses and remove.
3. Remove (4) Phillips screws that secure the radio.
4. Slide radio forward.
5. Disconnect wire harness and antenna lead.
6. Remove radio.

2005 HONDA PILOT

DASH DISASSEMBLY

1. Carefully pry outward on the trim bezel from around the radio.
NOTE: There are 4 panel clips holding the factory trim bezel in place, (2) are located 1/2 inch down from the top on each side of the trim bezel, (2) are located 1 inch in from each corner on the bottom of the trim bezel. There are cut-out slots on the trim bezel at each of these locations to allow a thin flat-blade screwdriver to pry outward on the trim bezel.
2. Disconnect the harnesses from the trim bezel and remove bezel.
3. Remove the (4) Phillips screws securing the radio to the sub-dash.
4. Pull radio forward, disconnect the wire harnesses and antenna lead and remove radio.

2006-08 HONDA PILOT LX

DASH DISASSEMBLY

1. Remove the (2) Phillips screws above the instrument gauges, Lower the steering column down and carefully pry the instrument gauge trim panel forward and remove trim.
2. Engage the parking brake and put the key in the ignition, turn the key to the on position and depress the brake pedal and lower the shift lever down.
3. Remove the Trim panel located to the left of the radio/vent bezel.
4. Carefully pry the radio/Vent trim bezel forward, disconnect the attached harnesses and remove bezel.
5. Remove the (4) Phillips screws securing the radio to the sub-dash, pull radio forward, disconnect all harnesses and antenna lead and remove radio.

1989-91 HONDA PRELUDE

DASH DISASSEMBLY

1. Remove the (2) Phillips screws from the bottom edge of the climate controls.
2. Remove the (3) Phillips screws from each side of the center console.
3. Set the emergency brake.
4. Remove the (1) plastic beauty cap from the end of the center console and remove the (2) Phillips screws from this location.
5. Carefully pull the rear console section back and remove.
6. Place the gear shift lever all the way to the rear position.
7. Carefully slide front center console section back and remove.
8. Remove the (4) Phillips screws securing the radio mounting trim bezel to the radio bracket assembly.
9. Remove the (1) Phillips screw from each side of the sub-dash securing the radio/trim bezel assembly to the sub-dash.
10. Disconnect ashtray and lighter harnesses from the dash console, and pull radio assembly forward.
11. Disconnect all harnesses from the radio/console assembly and remove.
12. Remove the (2) Phillips screws securing the factory radio to the mounting bracket assembly.
13. Remove the (1) Phillips screw securing the factory pocket to the radio bracket assembly and remove pocket.