

# Installation Manual Double DIN Kit



1. Opel Astra OEM Dashboard



2. Remove front panel at the right side (see arrows)



3. Remove panel cover between steering wheel and air vent (see arrows)



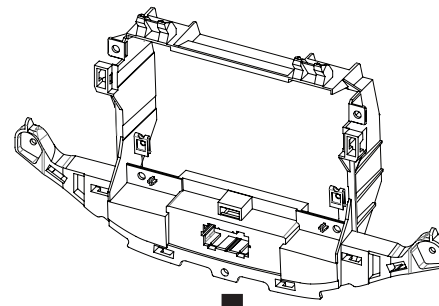
4. Remove trim frame (see arrows)



5. Remove screws (see arrows)



6. Remove head unit (unplug all cables carefully before)

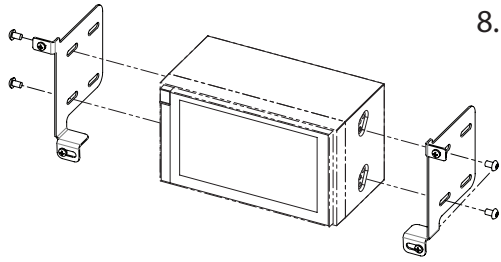


7. Remove hazard light switch from OEM panel.

Mount hazard light switch to bracket and connect cable

Install bracket into dash board





8. Mount mounting brackets to head unit



9. Connect all required circuit points

Mount head unit to dash board

Place facia plate

Install everything in reverse order to finish installation